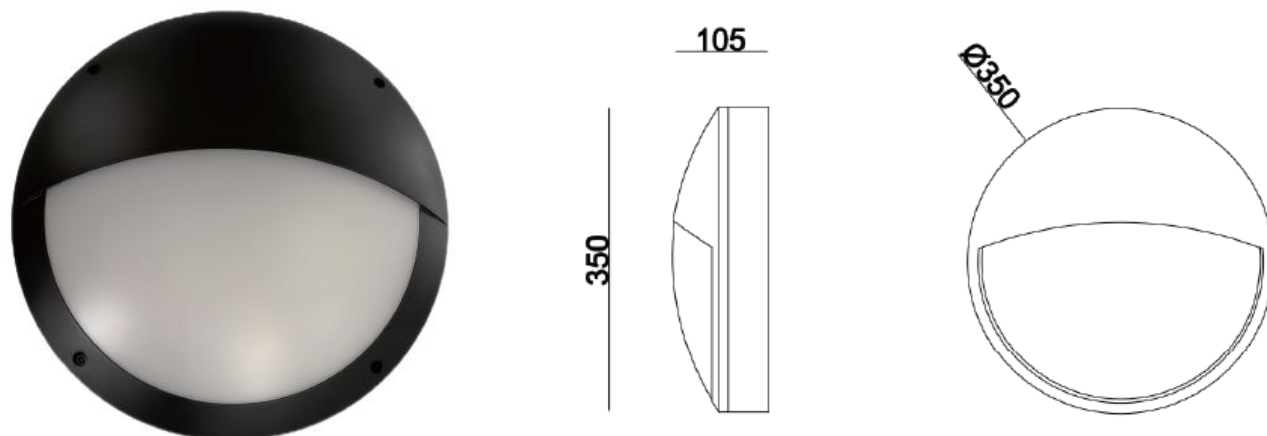


13" Round LED Outdoor Surface Wall Mounted Light

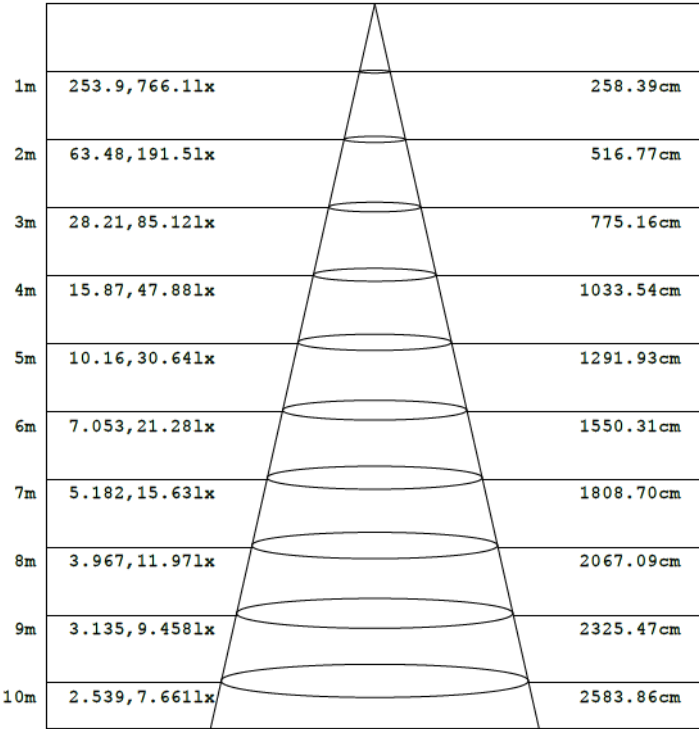
WLLM161



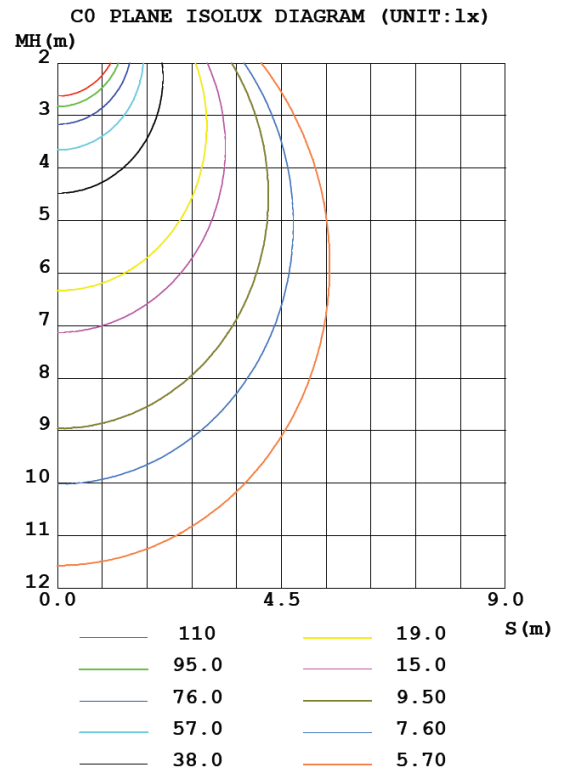
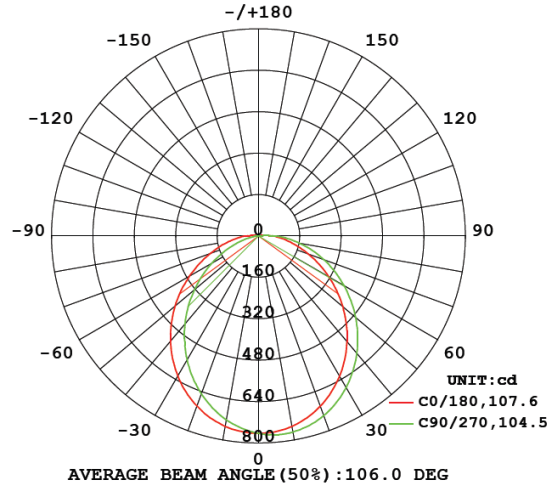
Optical	
CCT	3K / 4K / 5K
Output Lumen	2149lm @3000K 28W
Efficacy	76lm/W
Light Source	SMD 2835
CRI	≥80
Beam Angle	106°
Electrical	
Rated Power	12W/18W/28W
Input Voltage	100-277VAC
Life	
Lumen Maintenance	50,000hrs L70
Warranty	5 Years limited warranty
General	
Dimming	0-10V
Control	On/Off
IK	8
IP	65
Operating Temperature	-20°C~40°C
Finish Color	Black/White/Silver
Certificates	cETLus

Photometry

Flux out:1405 lm



Note: The Curves indicate the illuminated area and the average illumination when the luminaire is at different distance.



Ordering Information:

Example: WLLM116-13-28-3-UNV-0-WH

Model	Size	Power	CCT	Voltage	Dimming	Finish Color
WLLM161	8: 8.6"	12: 12W	3: 3000K	11: 120VAC	0: No Dim	WH: White
	11: 10.8"	18: 18W	4: 4000K	UNV: 100-277V	V: 0-10V	BK: Black
	13: 13.75"	28: 28W	5: 5000K			SL: Silver

Features and Specifications:

Application:

Surface Wall Sconce Luminaires are ideal for indoor or outdoor applications in residential, commercial, or architectural installations that require the fixture to integrate into the design of the structure. The Wall Sconce can be used to direct and guide as well as supply lighting for security.

Housing:

Constructed from one piece of high grade die cast aluminum ADC12 with a powder coat finish. Includes an integral wiring compartment and silicone gasket.

Front Cover:

A round, half lid, one-piece, high grade die cast aluminum with a high corrosion-resistant powder coat finish and semi-translucent UV stabilized polycarbonate opal lens for soft diffused glare-free illumination. Faceplate is secured to housing by four (4) captive, tamper resistant, stainless-steel screws.

Wiring:

A maximum of four (2) No. 12 AWG conductors (plus ground wire).

Certificates:

ETL / cETL Listed, suitable for wet locations and for all types of construction. (IP65).

Electrical:

AC 50/60Hz Electronic Direct Current Class 2 Meanwell driver integrally mounted. Power Factor > 0.90. Accessible from above or below ceiling. Suitable for cold weather applications down to -20°C/-40°F.

Lumen maintenance:

Minimum 50,000 hours L70 life based on ANSI TM-21 calculations from LM80 standardized test results. See ordering guide for delivered lumens.

Dimming:

0-10V dimming option (-D10) works with most 5-Wire 0-10V dimmers. Factory qualified for use with Leviton IP710-DLX and Lutron NTFTV-WH.

Warranty:

Covered by a 5-Year limited Warranty , includes first year replacement warranty .