



Indirect LED Troffer Light

Description:

Upgrade your office lighting with the Indirect Troffer Light, a stylish and efficient alternative to flat panel lights. Its indirect illumination reduces glare, providing smooth, uniform lighting that enhances both comfort and aesthetics. Available in 2x4 and 2x2 sizes, this fixture offers wattage and CCT adjustability for customizable brightness and color temperature. Optional features include battery backup for power outages and a microwave motion sensor for energy efficiency. Combine modern design with superior functionality for a well-lit and elegant workspace



Model: PLLSTIXX11XX3COK

Optical:

CCT: 3K,35K,4K CCT selectable
Efficacy: 110m/w
CRI: >80

Electrical:

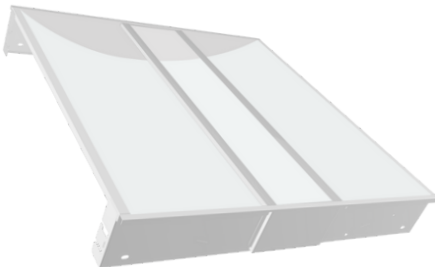
Rated Power: Watt Selectable 20W-50W
Input voltage: 110-277V AC

Life:

Lumen maintenance: 50,000hurs
Warranty: 2 Years

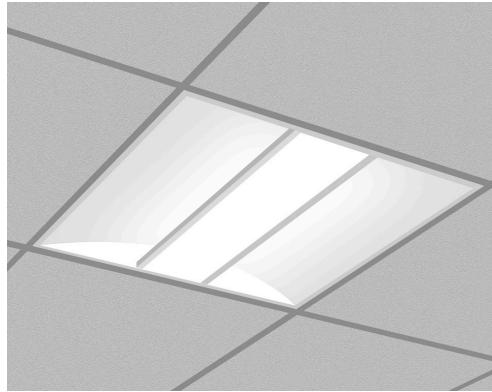
General:

Dimmable Solution: 1-10V Dimming
Enviroment: Damp Location
Operating temperature: -20°C~40°C
Finish color Availability: White
Material: Die Casting ADC12
Certification: cULus





Indirect LED Troffer Light



Performance :

Size	Wattage Adjustable	Lumen Output			Efficacy	CCT Adjustable
		High	Medium	Low		
2'x2'	40W/30W/20W	4400lm	3300lm	2200lm	Up to 110lm/w	3000K,3500K,4000K
2'x4'	50W/40W/30W	5500lm	4400lm	3300lm	Up to 110lm/w	3000K,3500K,4000K

Ordering Table :

EXAMPLE:PLLSTI-50-UNV-B

Model	Watt Selectable	Input VAC	Option
PLLSTI	50:50W,40W,30W 40:40W,30W,20W	UNV:110-277 347:110-347	B:Emergency Option S:Microwave motion sensor



Indirect LED Troffer Light

Specification :

Optics

It offers unique transparent optics to enhance the fixture aesthetic. fully-uniform transparent optics provide uniform, low-glare illumination for a clean, modern, upgraded look, creating direct and indirect light distribution.



Electrical

LED Driver	Powered by Class 2 high efficiency LED driver, with a standard 1-10V dimming which continuous dims to 10% that works with many types of controls. Tested @ @ Dimmers: Lutron Diva-Dvtv, Leviton IP-710-DL.
THD	<20%
Power Factor	>0.9
Input Voltage	Standard electronic drivers are cULus recognized and available for 110-277V AC.

LED System

CRI	Minimum 80 color rendering index
CCT	CCT selectable from 3000K, 3500K and 4000K with a great color consistency
LED	Life Minimum 50,000h with 87.8% of lumen maintenance in 25°C ambient temperature, in compliance with IES LM-80 testing measurements
Thermal Management	Aluminum housing acting as the heat sink to maximize life.
Environment	Damp rated in operating ambient temperatures of -20°C~40°C .

Mounting

Recessed

Construction:

Extruded aluminum housing

Finish

Powder coat white finish provides uniform finish providing long term performance and superior aesthetic



Indirect LED Troffer Light

TT-GRIDS CEILING COMPATIBILITY

It is architectural recessed lighting solution that compatible with most 15/16" and 9/16" t-grid systems for commercial and institutional environment. The following are only as some common examples to show.

DIMENSION

9/16" Flat



Suprafine® XL

9/16" Slot



Silhouette® 1/4" XL



Silhouette® 1/8" XL

9/16" Interlude



Interlude® XL



Sonata® XL

15/16" Flat

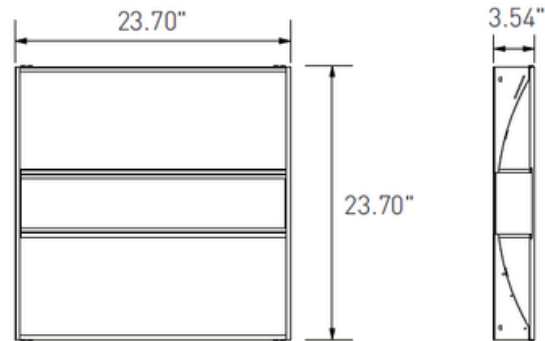


Prelude® XL

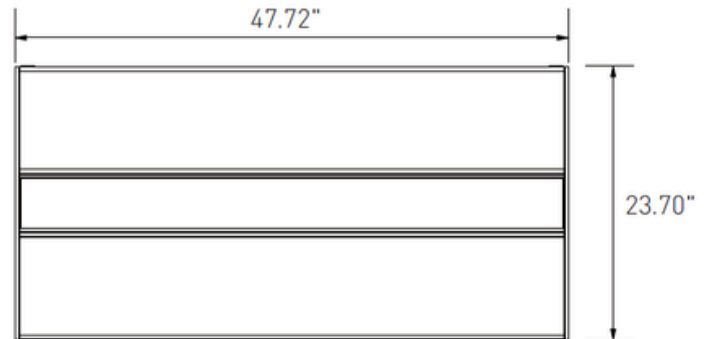


Clean Room

2x2ft



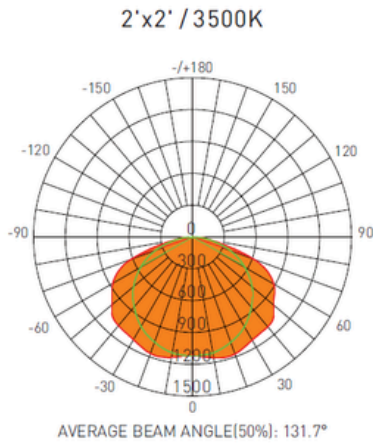
2x4ft





Indirect LED Troffer Light

DISTRIBUTION DIAGRAM



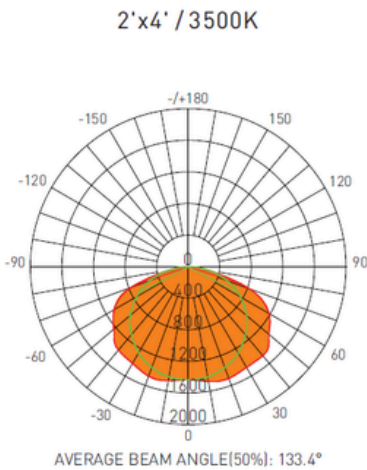
Test Number: TT22-DM-04W
 Lumens: 4176.3 Lm
 Watts: 37.54 W
 LPW: 111.25 Lm/W
 CCT: 3500K

UNIT: cd
 — C0/180,142.4
 — C90/270,120.9

T	C0	C45	C90	C135	C180
10	1157	1135	1109	1132	1152
20	1173	1137	1056	1130	1168
30	1124	1084	977.9	1075	1118
40	1105	998.6	863.3	985.1	1090
50	999.8	923.2	733.5	902.0	992.9
60	883.4	772.7	570.2	758.8	868.6
70	615.3	567.1	381.9	552.9	618.6
80	191.9	213.5	168.0	217.0	190.9
90	1.700	1.859	1.366	1.957	2.187
100	2.024	1.918	1.081	1.844	1.101
110	3.018	2.687	1.908	2.654	1.854
120	3.523	2.799	2.082	2.732	1.920
130	3.279	2.414	2.692	2.378	1.938
140	2.295	1.607	2.463	1.499	1.956
150	2.206	0.8639	2.039	0.9721	1.678
160	1.662	0.8615	2.106	1.014	1.721
170	1.850	1.026	2.062	1.154	1.711
180	1.683	1.091	2.463	1.269	1.680
DEG	LUMINOUS INTENSITY:cd				

T	φ total
0-10	107.6
10-20	428.0
20-30	935.2
30-40	1579
40-50	2310
50-60	3044
60-70	3686
70-80	4070
80-90	4164
90-100	4166
100-110	4168
110-120	4170
120-130	4172
130-140	4174
140-150	4175
150-160	4176
160-170	4176
170-180	4176
UNIT: lm	

G(DEG)	C0/180	C90/270
85	10615	8417
80	11061	9663
75	14172	10589
70	18004	11156
65	18637	11393
60	17682	11393
55	16434	11394
50	15566	11400
45	15284	11333



Test Number: TT24-DM-04W
 Lumens: 5460.4 Lm
 Watts: 48.81 W
 LPW: 111.87 Lm/W
 CCT: 3500K

UNIT: cd
 — C0/180,142.8
 — C90/270,124.1

T	C0	C45	C90	C135	C180
10	1476	1453	1419	1442	1467
20	1506	1462	1356	1431	1475
30	1475	1412	1264	1363	1415
40	1472	1332	1124	1261	1380
50	1334	1257	965.4	1162	1233
60	1183	1052	764.1	969.1	1087
70	829.5	785.9	526.3	724.8	776.3
80	233.4	277.8	238.8	270.1	223.4
90	1.578	2.350	14.28	2.462	1.629
100	1.451	2.109	2.911	2.214	1.815
110	2.116	2.843	2.507	2.676	2.042
120	2.355	2.863	1.316	2.762	2.115
130	2.238	2.051	1.134	1.924	1.950
140	1.839	1.085	0.9668	0.8426	1.870
150	1.415	0.7827	0.9557	0.7437	1.752
160	1.088	0.7829	1.002	0.7228	1.633
170	1.312	0.8800	1.262	0.9410	1.667
180	1.390	0.9644	1.314	1.081	1.632
DEG	LUMINOUS INTENSITY:cd				

T	φ total
0-10	137.5
10-20	546.5
20-30	1197
30-40	2032
40-50	2987
50-60	3952
60-70	4807
70-80	5325
80-90	5448
90-100	5451
100-110	5454
110-120	5456
120-130	5458
130-140	5459
140-150	5459
150-160	5460
160-170	5460
170-180	5460
UNIT: lm	

G(DEG)	C0/180	C90/270
85	11179	12390
80	13456	13747
75	18946	14805
70	24285	15384
65	24922	15466
60	23686	15279
55	22066	15111
50	20773	15016
45	20368	14854



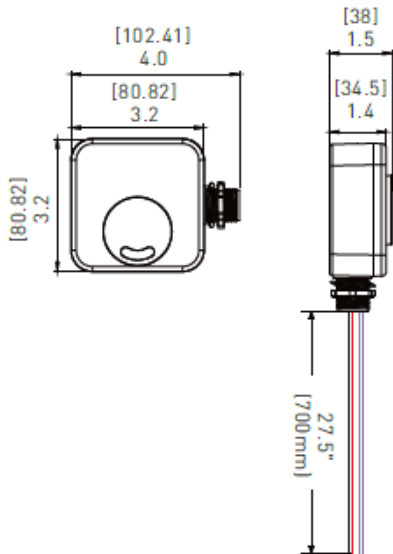
Indirect LED Troffer Light

MICROWAVE SENSOR OPTION

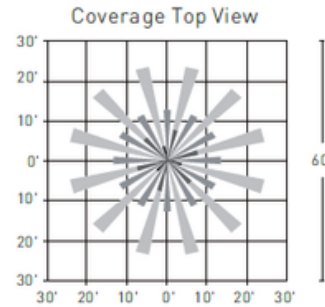
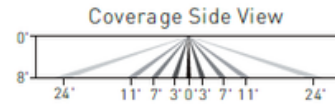
Line Voltage Daylight Harvest / Bi-Level



DIP Switch



Detection Pattern



Specifications

Operating Voltage	120/277VAC, 50Hz/60Hz
Switching Capacity	Resistive/Halogen-800W/1200@120/277V Fluorescent Ballast-660W/1200@120/277V Electronic Ballast(LED/CFL)-5A/5A@120/277V
Stand-by Power	≤0.5W
Detection Area	20%/50%/75%/100%
Hold Time	10s/1min/5min/10min/15min/20min/30min/60min
Daylight Threshold	10Lux/30Lux/50Lux
Stand-by Period	1min/30min/60min/+∞
Stand-by Dimming Level	0%/10%/30%/50%
Microwave Frequency	5.8GHz±5MHz
Microwave Power	<0.2mW
Mounting Height	Max.6m
Detection Range	Max.8m
Control Line	VIOLET+,GRAY-,RED L'Out, WHITE N, BLACK L in
Operating Temperature	-40°C~+70°C
IP Rating	IP20
Detection Angle	360°



On/Off Control



Stand-by Period



6M Max



Detection Area



Stand-by Dimming Level



Hold Time



Daylight threshold



Remote Control Setting

Due to continuous improvements, the information herein may be changed without notice

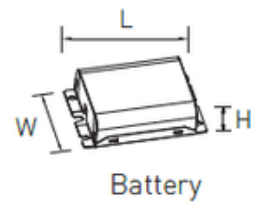
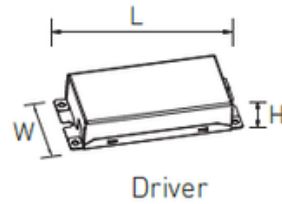
831 3rd St W, North Vancouver, BC V7P 3K7 Canada | P.: +1(604) 770-3315 | E: info@maxtarlighting.com



Indirect LED Troffer Light

EMERGENCY OPTION

Up to 120 minutes in event of power failure



Specifications

Output Power	8 Watts
Output Voltage	15-54V DC
Input Current	70 mA (Max)
Input Power	3.2 Watts (Max)
Input Voltage	100-277VAC, 50-60Hz
Emergency Operation	≥90 Minutes
Standby Power	<0.4W
Operating Temp	0°C to 50°C
Battery	Lithium
Recharge	24 Hrs
Compatible LED Luminaire	LED Driver Output Current: 5A Max
Dimensions	Driver: L5.08"×W2.05"×H0.99", Battery: L3.47"×W2.33"×H0.97"
Certificate	VIOLET+,GRAY-,RED L'Out, WHITE N, BLACK L in
Output Class	UL LELV (Output protection self-resetting)





Indirect LED Troffer Light

Application

