



MODULAR COB LED DOWNLIGHT 3"



Description:

Durable airtight aluminum body with etched white PMMA diffuser lens for low glare. 1%-100% dimming capability. This general application light fixture features 11watt LED module that maintains uniform intensity producing up to 913 lumens; with a typical CRI of 80/90. The fixture lens provides 15° / 24° / 36° beam spread. Includes two spring loaded clips to attached to any ceiling material

Model: DNLR1211035CWHLB

Optical:

CCT:	5CCT
Lumen out put:	984LM
Lumen Efficacy:	82LM/W
LED Type:	COB
CRI:	80Ra/90Ra



Electrical:

Rated Power:	12W
Input voltage:	AC120V / 60Hz
Beam angle:	15° / 24° / 36°
Power factor/THD/PE:	>90% / <30 / 70%

Life:

Lumen maintenance	50,000 HRS
Warranty:	2 Years

General:

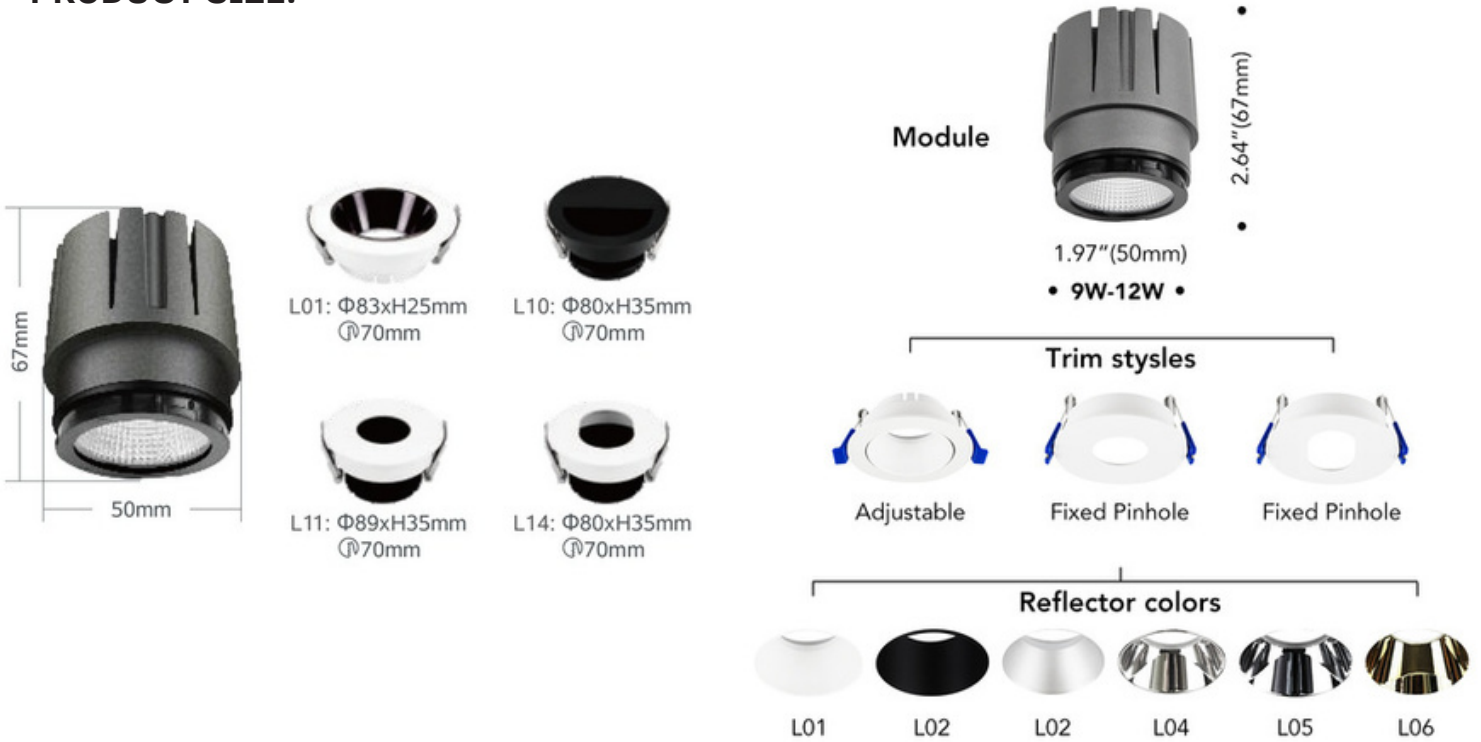
Dimmable Solution:	Triac
IP:	IP44
Operating temperature:	-20°C~+40°C
Storage temperature:	-40°C~+85°C
Finish color Availability:	White/Black/Silver/Brushed Nickel
Certification:	cETLus



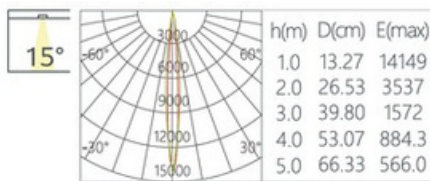


MODULAR COB LED DOWNLIGHT 3"

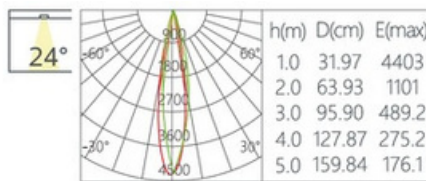
PRODUCT SIZE:



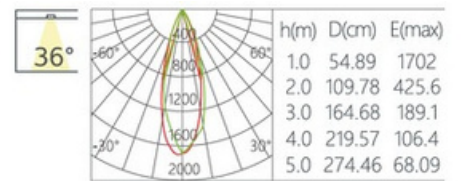
LIGHTING PERFORMANCE



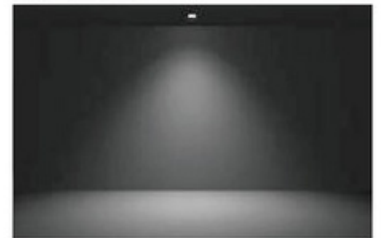
Narrow Spot 15°



Narrow 24°



Medium 36°





MODULAR COB LED DOWNLIGHT 3"

INSTALLATION PROCESS

Fig.1

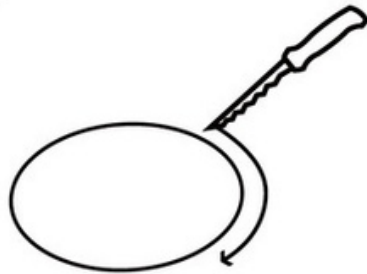


Fig.2

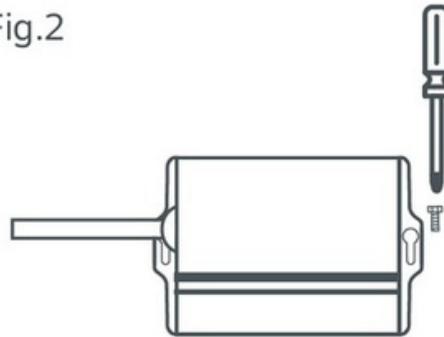


Fig.3

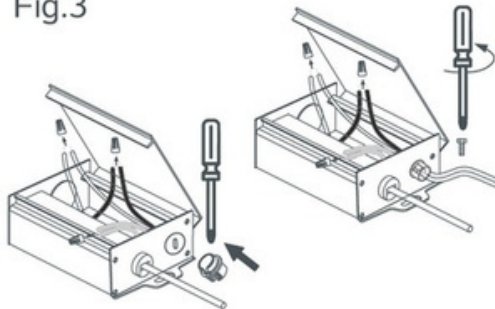


Fig.4

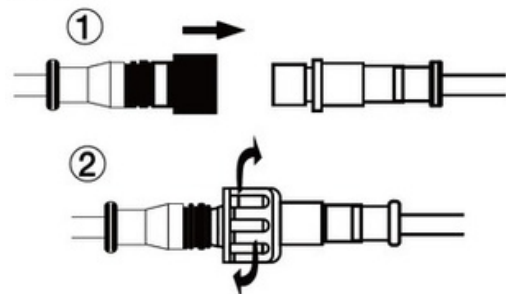


Fig.5

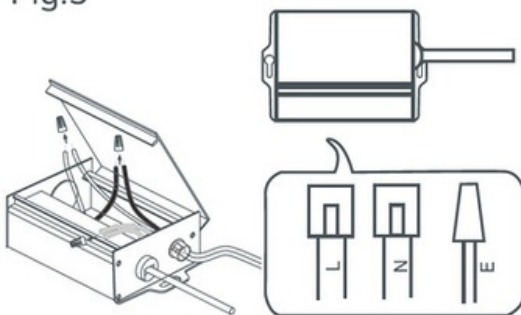


Fig.6

