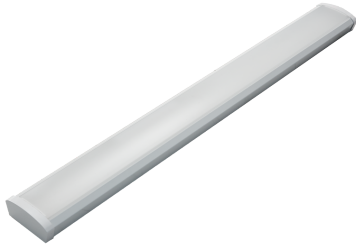




4 FT LED LINEAR WRAPAROUND LIGHT

Description:

An all-in-1, low-profile, linear and narrow wraparound with 9 possible color/lumen configurations standard. Comes with decorative endcaps with integrated link ability and a frosted diffuser providing widespread, uniform illumination. Ideal for many applications including corridors, kitchens, breakrooms, utility work areas and stairways. Color and Lumen Switching, Linkable Low Profile LED Wrap



Model: LRLW4811043CTO

Optical:

CCT:	3500 / 4000 / 5000 3 CCT
Lumen out put:	3680- 4600- 5520LM
Lumen Efficiency:	115LM/W
LED Type:	SMD
CRI:	>80

Electrical:

Rated Power:	32/40/48W
Input voltage:	120-347V
Power factor:	>0.9
Beam Angle:	120°



Life:

Lumen maintenance:	50,000 hours
Warranty:	2 Years

General:

Dimmable Solution:	0-10V
Applications:	Offices /Hallways /Multipurpose Rooms





4 FT LED LINEAR WRAPAROUND LIGHT

DIMENSIONS

Specifications:

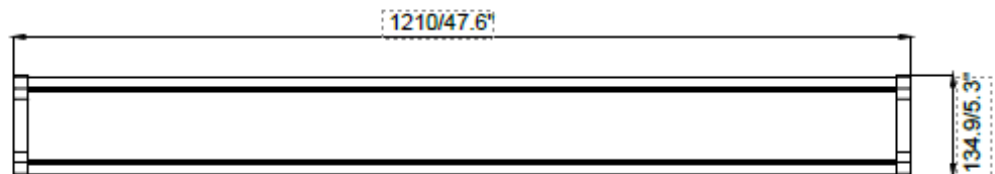
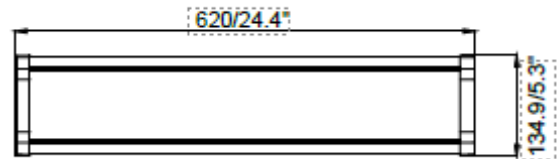
TPWR05-2FT/4FT

Length: 620/1210(24.4"/47.6")

Width: 134.9(5.3")

Depth: 54.4(2.1")

Weight: 1.20/1.70(kg)



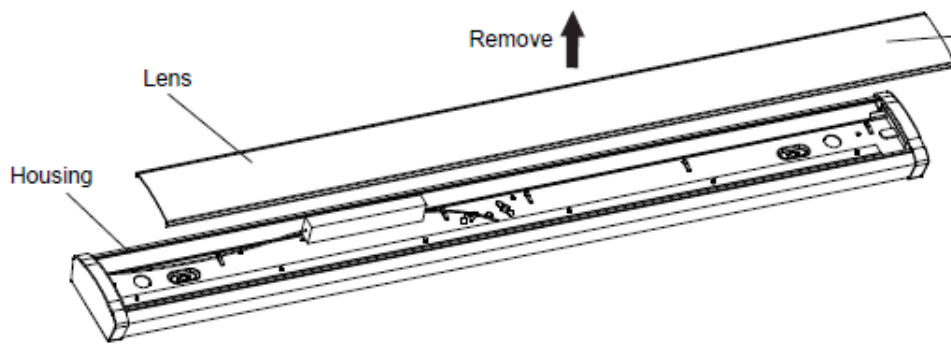


4 FT LED LINEAR WRAPAROUND LIGHT

INSTALLATION:

A-Surface Mounting:

Figure 1



Remove lens

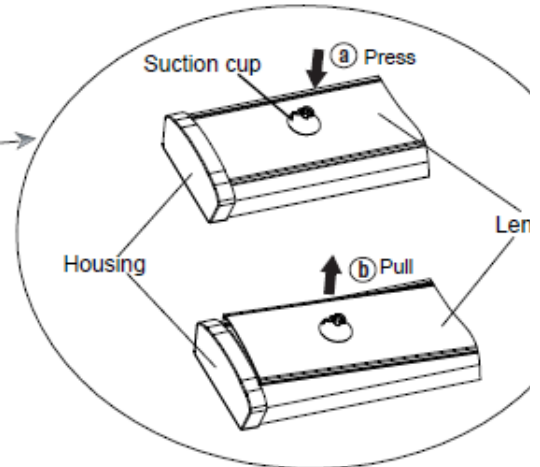
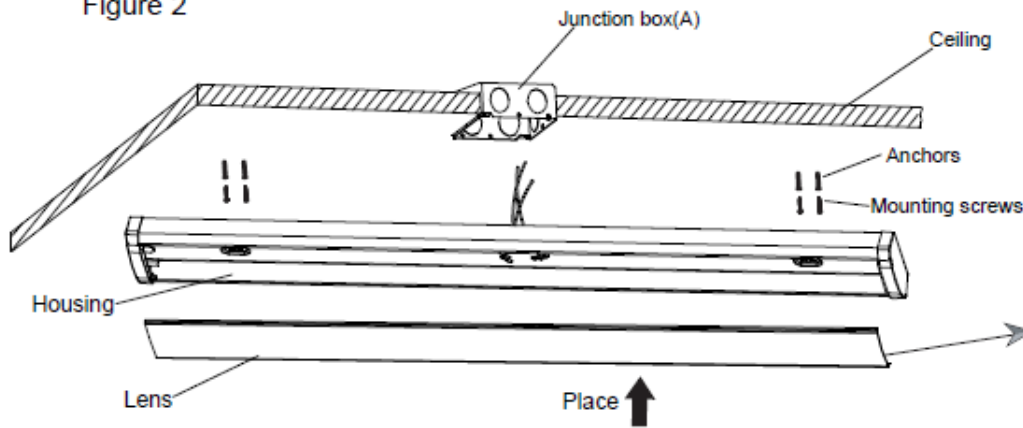


Figure 1A

Figure 2



Install lens

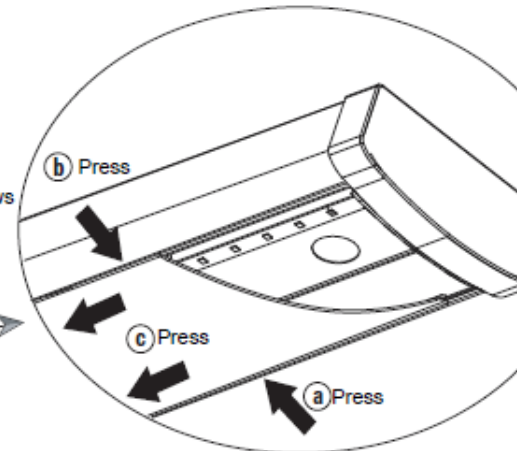


Figure 2A

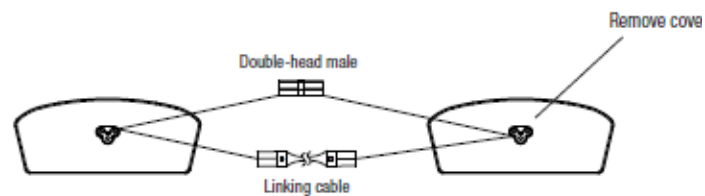
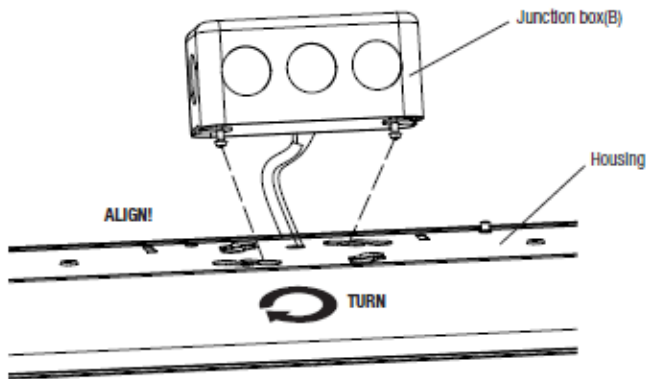
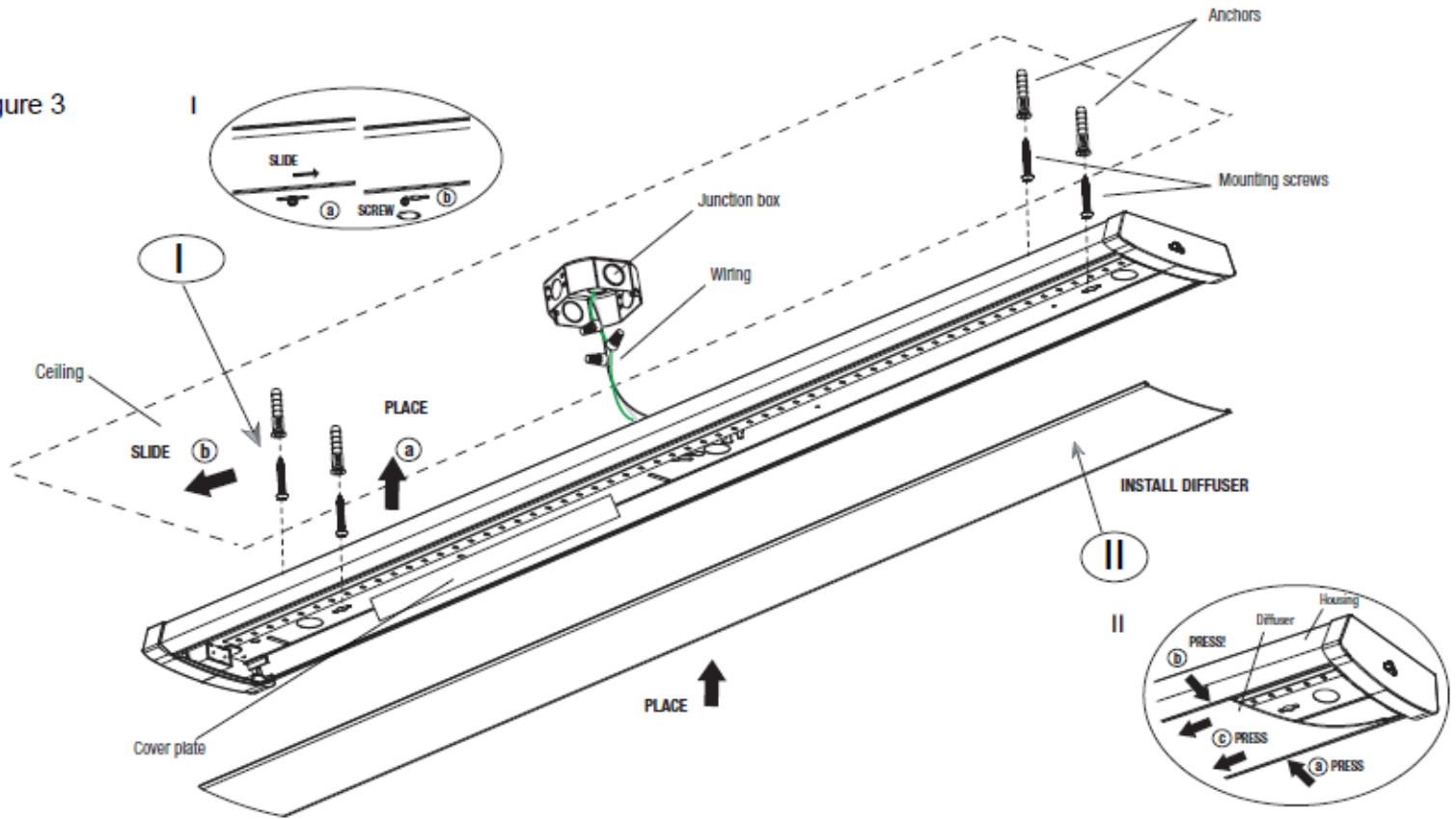


4 FT LED LINEAR WRAPAROUND LIGHT

INSTALLATION:

B-Surface Mounting:

Figure 3





4 FT LED LINEAR WRAPAROUND LIGHT

INSTALLATION:

Suspension Mounting:

