



**4' LED LINEAR STRIP LIGHT G1**

**Description:**

A versatile lighting solution designed for easy installation and customization. It features an integrated LED system with a snap-lock diffuser lens, ensuring a secure and hassle-free assembly. The light offers adjustable power and color temperature (CCT), allowing users to tailor the brightness and tone to their specific needs.

**Model:** LRL4011043CG1TO

**Optical:**

Lumen Efficacy: 130  
LED Type: SMD  
CRI: ≥80

**Electrical:**

Input voltage: 120-347V 50/60HZ  
Beam angle: 110 Dir Light Only  
Power factor: > 0.9

**Life:**

Lumen maintenance: (L70) 50,000h  
Warranty: 2 Years

**General:**

Operating temperature: -20 to +45°C  
Finish color Availability: White  
Certification: UL, CUL, FCC, DLC

**Specification:**

	2FT	4FT	8FT
Wattage (W)	18/25/30W	22/28/40W	38/46/54W
Lumens (lm)	2,340/3,250/3,750lm	2,860/3,640/5,200lm	4,940/5,980/7,020lm
CCT	3500K, 4000K, 5000K	3500K, 4000K, 5000K	3500K, 4000K, 5000K
Voltage (V)	120-347 Vac	120-347 Vac	120-347 Vac
SCDM	≤5	≤5	≤5
DIM	0-10V	0-10V	0-10V
CRI	>80	>80	>80
Life Span (hrs)	50,000	50,000	50,000

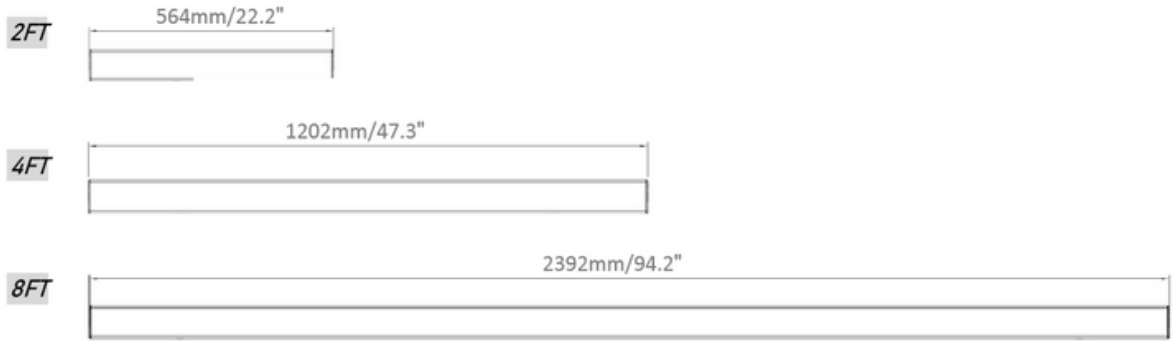




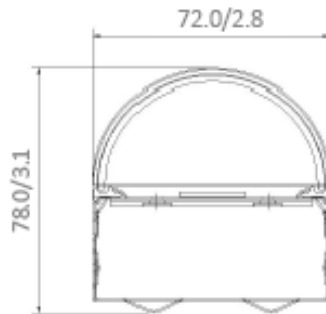
**LED LINEAR STRIP LIGHT G1**

**Dimensions and Weights:**

Length:



**Height and width(mm/inch):**



**SR2 LENS**  
Standard Version 2

**Product Weight(Kg/lb):**

Product series	2FT	3FT	4FT	8FT
STR2-W	1.20/2.65	1.60/3.53	2.00/4.41	3.85/8.49