

PRIME

TRIM/TRIMLESS DOWNLIGHT



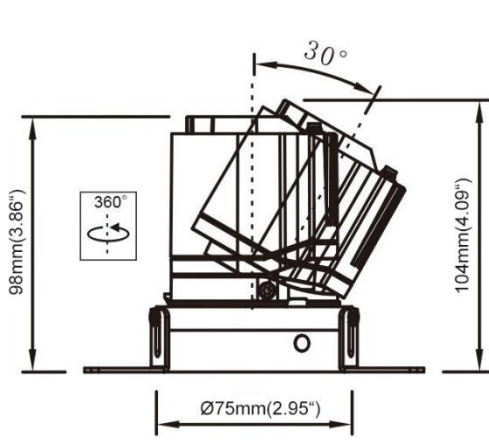
SPECIFICATIONS

MODEL NAME	PRIME
POWER CONSUMPTION(±10%)	VARIES BASED ON SIZE
INPUT VOLTAGE	100/277VAC
EFFICACY(4000K RA80)	85 LM/W
DIMMING	TRIAC/0-10V/DALI
CCT	2700/3000/3500/4000
CRI	90, UP TO 95 FOR <30W
BEAM ANGLE	15°/24°/38°/60°
UGR LEVEL	<13
MOUNTING OPTIONS	TRIM/TRIMLESS RECESSED
FINISH	POWDER COATING
FIXTURE COLOR	BLACK/WHITE
REFLECTOR COLOR	BLACK/WHITE/SILVER
OPTICS ACCESSORY OPTION	HONEYCOMB/OPAL
IP RATING	IP20
OPERATING TEMPERATURE	-30°C TO + 50°C(-22°F TO 122°F)
LIFE TIME OF LED @TA=25°C	50000 HOURS
WARRANTY	5 YEARS
APPLICATIONS	INDOORS

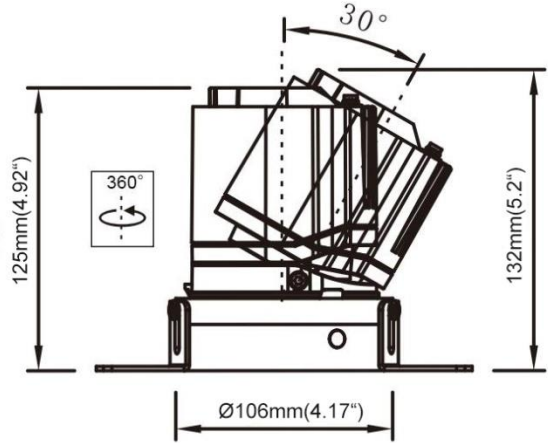


PRIME

TRIM/TRIMLESS DOWNLIGHT SWIVELLING MODE DIMENSIONS

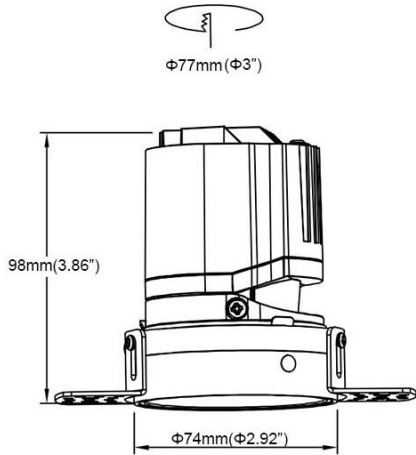


3 Inch

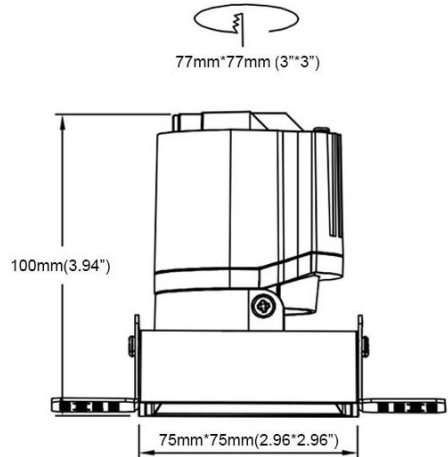


4 Inch

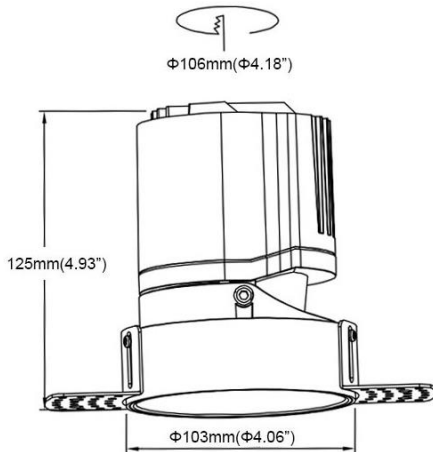
DIMENSIONS (TRIMLESS ROUND & SQUARE)



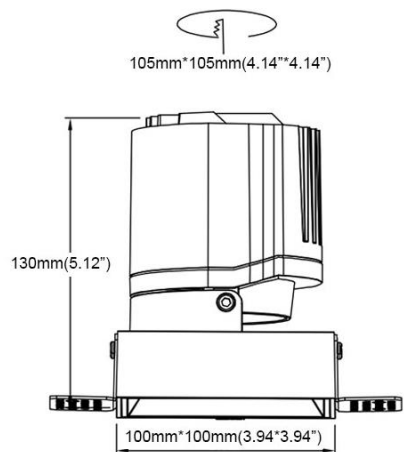
8-12W



8-12W



15-20W



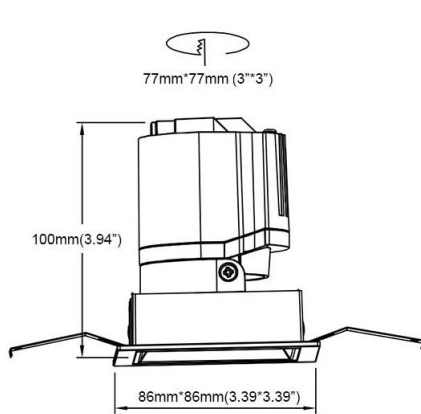
15-20W

PRIME

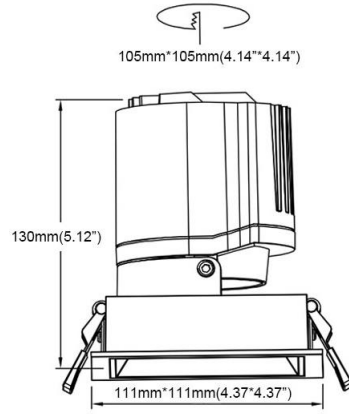
TRIM/TRIMLESS DOWNLIGHT

DIMENSIONS (TRIM ROUND & SQUARE)

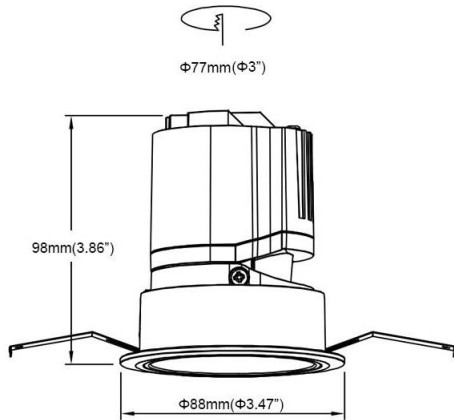
PROMAX



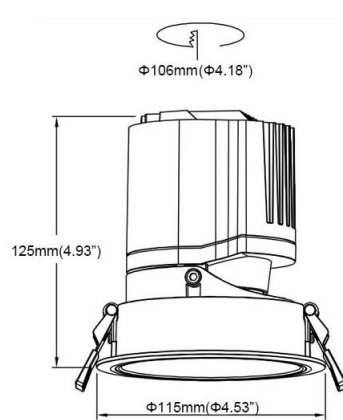
8-12W



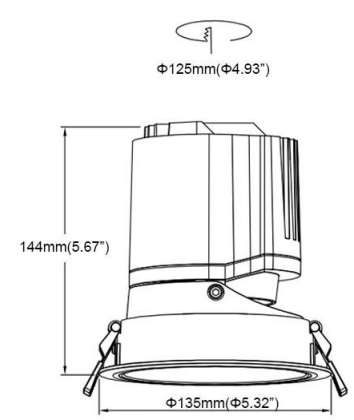
15-20W



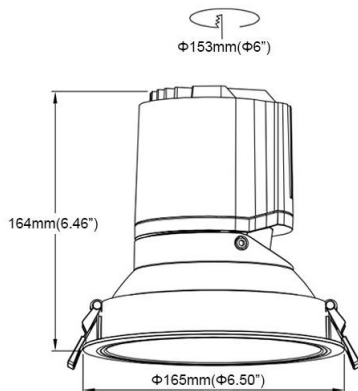
8-12W



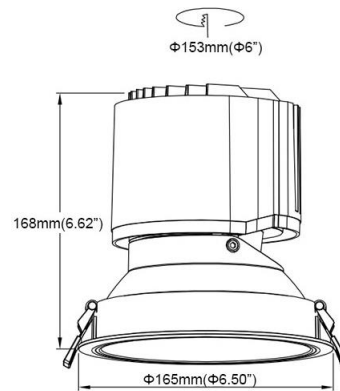
15-20W



25-30W



30-35W

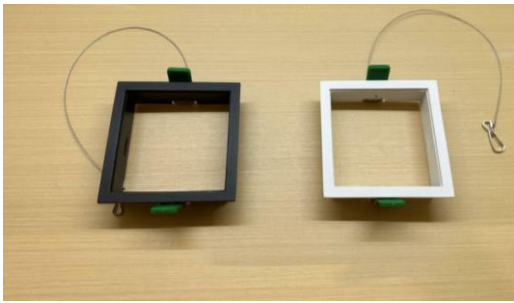
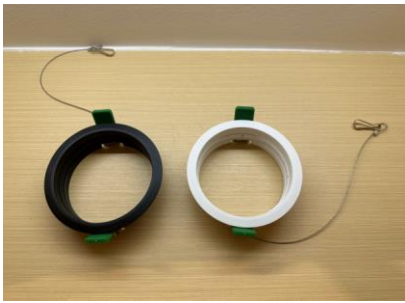
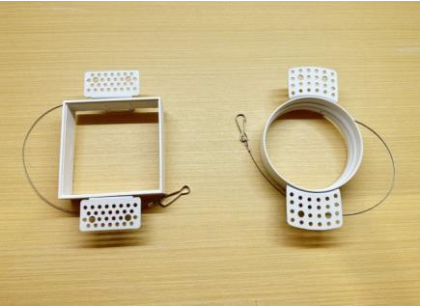
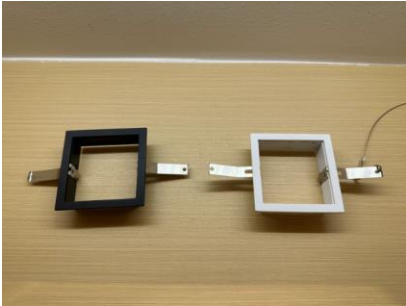


50W

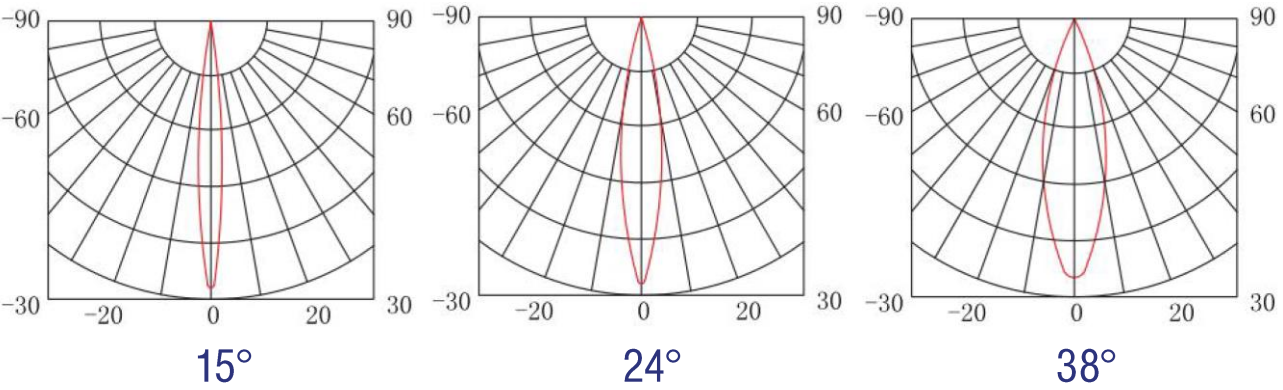
PRIME

TRIM/TRIMLESS DOWNLIGHT

REFLECTOR & TRIM ACCESSORIES



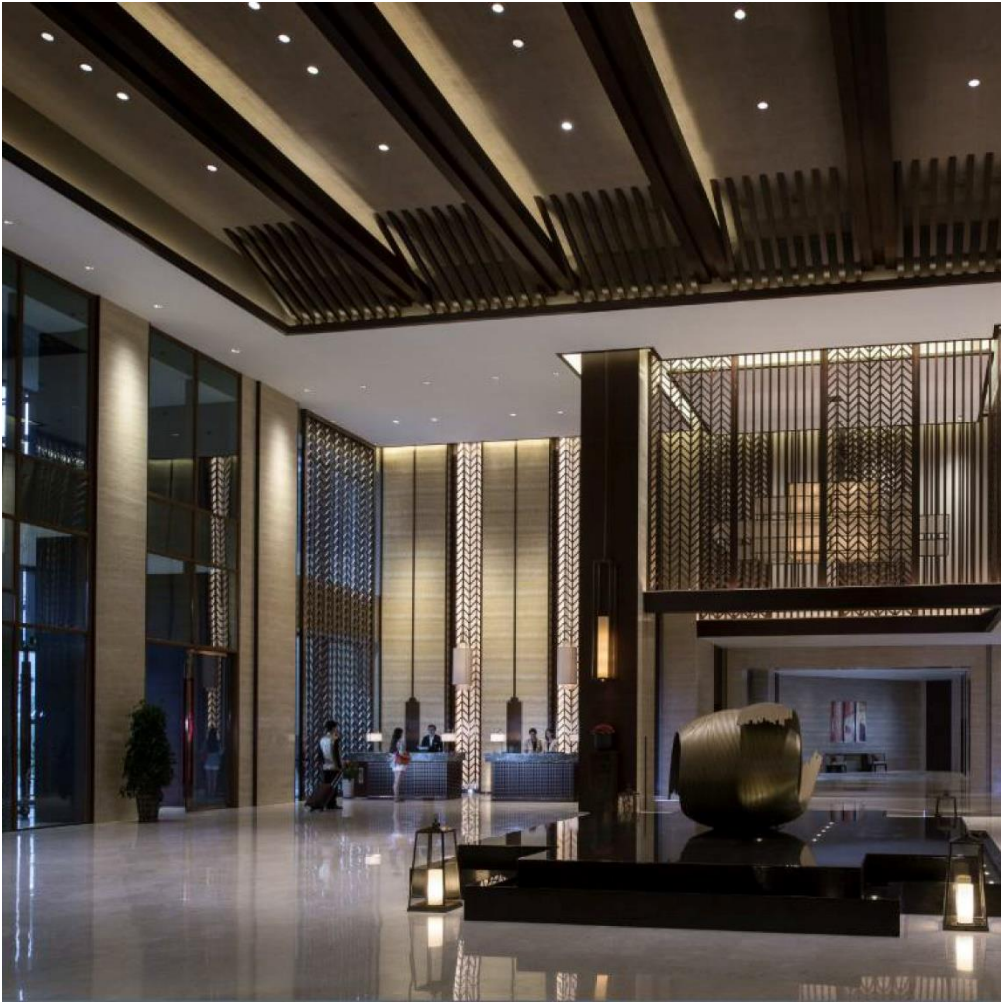
DISTRIBUTION



PRIME

TRIM/TRIMLESS DOWNLIGHT

APPLICATION



ORDERING INFORMATION

Example: PM-PRIME-TL-3S-8W-2700-15-O-90-V-B-B

SERIES	TYPE	SIZE / WATTAGE	CCT	BEAM ANGLE	OPTICS	CRI	DIMMING	REFLECTOR COLOR	FRAME COLOR	
PM-PRIME	T: TRIM	3R: 3 1/2" ROUND - (8-12W)	2700	15	O: OPAL	90	T: TRIAC	W: WHITE	W: WHITE	
		4R: 4 1/2" ROUND - (15-20W)	3000	24	H: HONEYCOMB	95	V: 0-10V	B: BLACK	B: BLACK	
		5R: 5 1/8" ROUND - (25-30W)	3500	38				D: DALI	S: SILVER	
		6R: 6 1/4" ROUND - (30-35W)	4000	60						
		6R: 6 1/4" ROUND - (50W)								
PM-PRIME	TL: TRIMLESS	3S: 3 3/8" SQUARE - (8-12W)	2700	15	O: OPAL	90	T: TRIAC	W: WHITE	W: WHITE	
		4S: 4 3/8" SQUARE - (15-20W)	3000	24	H: HONEYCOMB	95	V: 0-10V	B: BLACK	B: BLACK	
		3S: 3" SQUARE - (8-12W)	3500	38				D: DALI	S: SILVER	
		4S: 4" SQUARE - (15-20W)	4000	60						

85 LM/W, 100/277VAC, CRI>90 ONLY AVAILABLE FOR <30W



3740 William St, Burnaby, BC V5C 3H7
 Phone: +1 (604) 294-2334, Toll free: +1 (877) 294-2334, Fax: +1 (604) 294-2126
www.premierlight.ca

TRIM/TRIMLESS DOWNLIGHT - PRIME
 Last update: Feb. 2024
 Page 5 of 5