

12W LED Power Supply



Features :

- IP67 design for indoor or outdoor installations
- Protections: Short circuit/Overload/Over temperature
- Cooling by free air convection
- 100% full load burn-in test
- Suitable for LED lighting
- Products through CE, ETL RoHS Certification
- 24 Months warranty

CE ETL ROHS SELV IP67

SPECIFICATION

MODEL		PYWP12120000SMT	PYWP12240000SMT		
OUTPUT	DC VOLTAGE	12V	24V		
	RATED CURRENT	1A	0.5A		
	CURRENT RANGE	0~1A	0~0.5A		
	RATED POWER	12W	12W		
	RIPPLE&NOISE(max)	<700mV	<400mV		
	VOLTAGE TOLERANCE	±0.5V	±0.5V		
INPUT	VOLTAGE RANGE	90~265VAC			
	FREQUENCY RANGE	47~63Hz			
	POWER FACTOR(Typ.)				
	EFFICIENCY(Typ.)	>81%	>81%		
	AC CURRENT(Typ.)	0.20A @110VAC / 0.099A@220VAC			
PROTECTION	Short circuit	Protection type:recovers automatically after condition is removed			
	Overload	overload protected@145-160% above peak rating			
	Over temperature	Protection type:Shut down o/p voltage, re-power on to removed			
ENVIRONMENT	WORKING TEMP.	-30~+50°C (Refer to output load derating curve)			
	INGRESS PROTECTION	IP67 design for indoor or outdoor installations			
	STORAGE TEMP	-40~+80°C			
SAFETY&EMC	SAFETY STANDARDS	EN61347-1;EN61347-2-13;SELV;IP67 UL, CE, ROHS approved			
	WITHSTAND VOLTAGE	I/P-O/P:2KVAC I/P-FG:2KVAC O/P-FG:0.5KVAC			
	EMC Test Standards	EN55015:2006;EN61547:1995+2000;EN61000-3-2:2006 EN61000-3-3:1995+A2:2005;EN61346-1:2001;EN61347-2-13:2006			
NOTE	1.All parameters NOT specially mentioned are measured at 110V~220VAC input,rated load and 25°C of ambient temperature. 2.Ripple&noise are measured at 20MHz of bandwidth by using a 12" twisted pair-wire terminated with a 0.1uf&47uf parallel capacitor. 3.Tolerance:includes set up tolerance,line regulation and load regulation.				

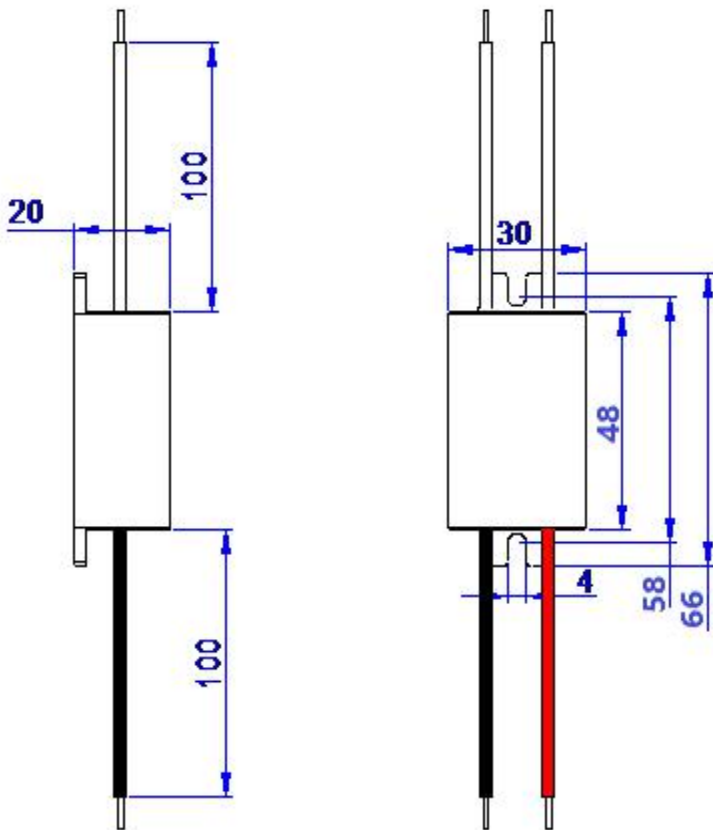
12W LED Power Supply

Mechanical Specification



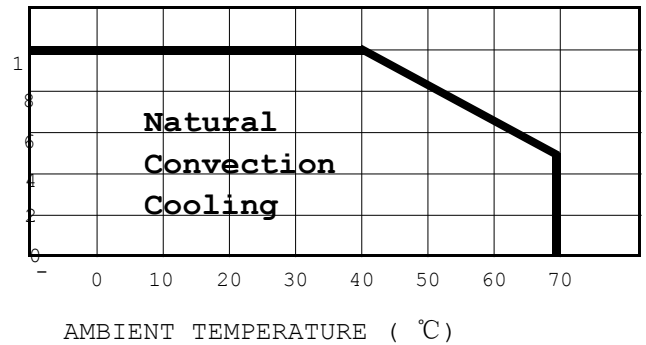
AC INPUT

AC/L (White)
AC/N (White)



Others

DIMENSION	66×30×20mm (L×W×H)
CARTON QUANTITY	100pcs/carton
CARTON SIZE	418×310×179mm
WEIGHT	0.051Kg/pcs



DC OUTPUT

DC/+V (Red)
DC/-V (Black)

Cable Model of input :0.50mm²
Cable Model of output:0.50mm²

]

;