

12W LED Power Supply



Features :

- IP67 design for indoor or outdoor installations
- Protections: Short circuit/Overload/Over temperature
- Cooling by free air convection
- 100% full load burn-in test
- Suitable for LED lighting
- Products through CE, ETL RoHS Certification
- 24 Months warranty

CE ETL ROHS SELV IP67

SPECIFICATION

| MODEL | | PYWP12120000SMT | PYWP12240000SMT | | |
|-------------|---|--|-----------------|--|--|
| OUTPUT | DC VOLTAGE | 12V | 24V | | |
| | RATED CURRENT | 1A | 0.5A | | |
| | CURRENT RANGE | 0~1A | 0~0.5A | | |
| | RATED POWER | 12W | 12W | | |
| | RIPPLE&NOISE(max) | <700mV | <400mV | | |
| | VOLTAGE TOLERANCE | ±0.5V | ±0.5V | | |
| INPUT | VOLTAGE RANGE | 90~265VAC | | | |
| | FREQUENCY RANGE | 47~63Hz | | | |
| | POWER FACTOR(Typ.) | | | | |
| | EFFICIENCY(Typ.) | >81% | >81% | | |
| | AC CURRENT(Typ.) | 0.20A @110VAC / 0.099A@220VAC | | | |
| PROTECTION | Short circuit | Protection type:recovers automatically after condition is removed | | | |
| | Overload | overload protected@145-160% above peak rating | | | |
| | Over temperature | Protection type:Shut down o/p voltage, re-power on to removed | | | |
| ENVIRONMENT | WORKING TEMP. | -30~+50°C (Refer to output load derating curve) | | | |
| | INGRESS PROTECTION | IP67 design for indoor or outdoor installations | | | |
| | STORAGE TEMP | -40~+80°C | | | |
| SAFETY&EMC | SAFETY STANDARDS | EN61347-1;EN61347-2-13;SELV;IP67 UL, CE, ROHS approved | | | |
| | WITHSTAND VOLTAGE | I/P-O/P:2KVAC I/P-FG:2KVAC O/P-FG:0.5KVAC | | | |
| | EMC Test Standards | EN55015:2006;EN61547:1995+2000;EN61000-3-2:2006 EN61000-3-3:1995+A2:2005;EN61346-1:2001;EN61347-2-13:2006 | | | |
| NOTE | 1.All parameters NOT specially mentioned are measured at 110V~220VAC input,rated load and 25°C of ambient temperature. 2.Ripple&noise are measured at 20MHz of bandwidth by using a 12" twisted pair-wire terminated with a 0.1uf&47uf parallel capacitor. 3.Tolerance:includes set up tolerance,line regulation and load regulation. | | | | |

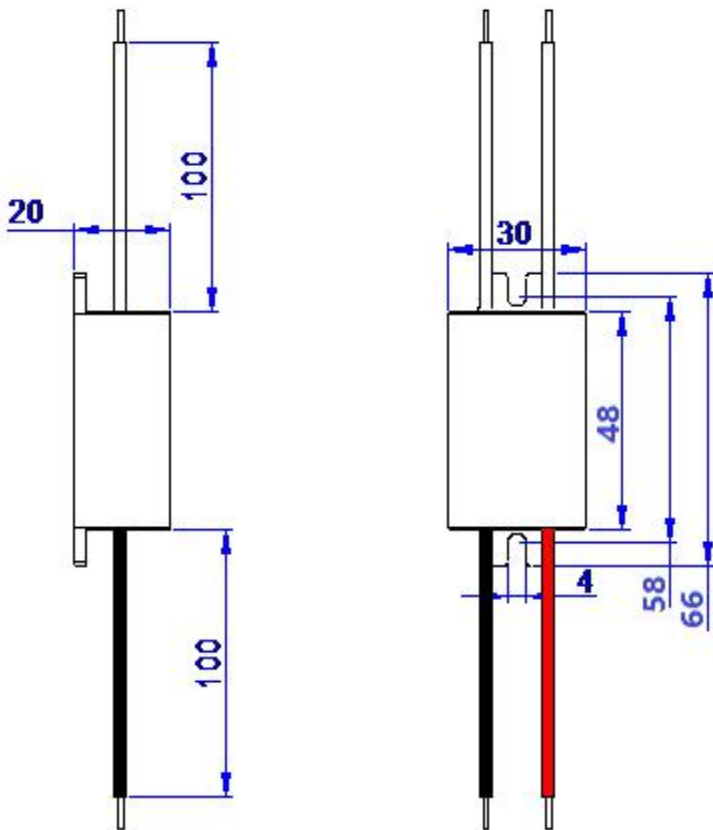
12W LED Power Supply

Mechanical Specification



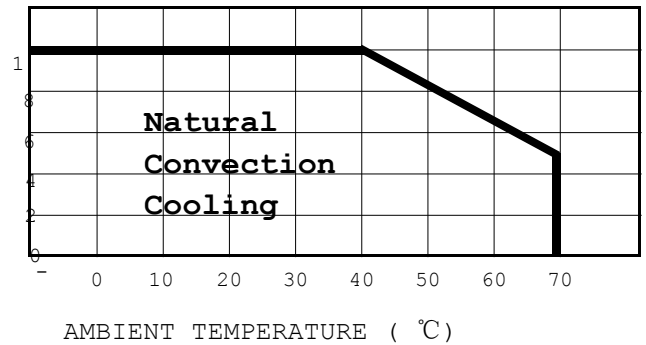
AC INPUT

AC/L (White)
AC/N (White)



Others

| | |
|-----------------|--------------------|
| DIMENSION | 66×30×20mm (L×W×H) |
| CARTON QUANTITY | 100pcs/carton |
| CARTON SIZE | 418×310×179mm |
| WEIGHT | 0.051Kg/pcs |



DC OUTPUT

DC/+V (Red)
DC/-V (Black)

Cable Model of input :0.50mm²
Cable Model of output:0.50mm²