



## PYJD-TDW Series 60W

---

### TRIAC Dimmable LED Driver - Constant Voltage Output - PYJD-TDW Series 60W



#### Features

Output:	Constant Voltage
Range:	100-277VAC
PFC design:	Built-in active PFC function
Efficiency:	Up to 86%
Protections:	Short circuit/ over load/ over temperature
Heat dissipation:	Cooling by free air convection
Waterproof performance:	Full Iron protection housing, for dry, damp & wet locations.
Dimming function:	<u>Phase dimming</u> : work with Forward phase, MLV and Reverse phase, ELV, TRIAC dimmers.
Dimming range:	0.1-100%
Application:	Suitable for the application of LED lighting
Warranty:	2 years warranty
Others:	PWM output, High power factor $PF \geq 0.95$ , flicker-free dimming



**TRIAC Dimmable LED Driver - Constant Voltage Output - PYJTDW Series 60W**

**Specification**

<b>Model</b>		<b>PYJD-48060-TDW</b>
<b>Certificate</b>		/
<b>Output</b>	DC Voltage	48V
	Voltage Tolerance	±0.5V
	Voltage Regulation	±0.5%
	Rated current	1.25A
	Rated power	60W
	Load Regulation	±1%
<b>Input</b>	Voltage Range	100-277VAC
	Frequency Range	47 - 63Hz
	Power Factor (Typ.)@ full load	0.99@120VAC    0.96@277VAC
	THD(Typ.) @ full load	<20%@120VAC & 277VAC
	Efficiency(Typ.) @ full load	≥85.1%@120VAC    ≥86.5%@277VAC
	AC Current (Max.)	0.9A
	Inrush Current (Typ.)	14A, 50%, 780us @120VAC;    15A, 50% 660us @277VAC
	Leakage current	<0.5mA
<b>Protection</b>	Short Circuit	Hiccup mode, recovers automatically after fault condition is removed.
	Over Load	≥110% Hiccup mode, recovers automatically after fault condition is removed
	Over temperature	Shell surface temp.100°C±10°C shut down o/p voltage, automatically recover after cooling
<b>Environment</b>	Working TEMP.	-40~+60°C (see below derating curve)
	Working Humidity	20 - 95%RH    non-condensing
	Storage TEM.,Humidity	-40 - +80°C,10 - 95% RH non-condensing
	TEMP.coefficient	±0.03%/°C(0 - 50°C)
	Vibration	10~500Hz, 5G 12min./1 cycle, period for 72min. each along X,Y,Z axes
<b>Safety &amp; EMC</b>	Safety standards	UL8750    CAN/CSA-C22.2 No.250.13
	Withstand voltage	I/P-O/P:1.88KVAC;    I/P-FG:1.88KVAC;    O/P-FG:0.5KVAC
	Isolation resistance	I/P-O/P: 100MΩ / 500VDC / 25°C / 70% RH
	EMC Immunity	FCC/ICES do not request this test
	EMC Emission	FCC Part15 Subpart B
<b>Others</b>	Net Weight	1.04Kg
	Dimension	188*95.4*43.8mm (L*W*H)
	Packing	415*265*270mm    20pcs/CTN
<b>Notes</b>	<ol style="list-style-type: none"> <li>All parameters NOT specially mentioned are measured at 120VAC input, rated load and 25°C of ambient temperature.</li> <li>Tolerance: includes set up tolerance and load regulation .</li> </ol>	



## TRIAC Dimmable LED Driver - Constant Voltage Output - PYJDTDW Series 60W

### MCB recommendation

When the input voltage is 120Vac, the number of LED Driver matched by circuit breakers is as follows:		
MCB Type	Level	The number of LED Driver
C type	10A	13
	13A	16
	16A	20
	20A	25
	25A	31
When the input voltage is 277Vac, the number of LED Driver matched by circuit breakers is as follows:		
MCB Type	Level	The number of LED Driver
C type	10A	13
	13A	16
	16A	20
	20A	25
	25A	31

### Note:

1. The above quantities of the led drivers connected on the Type C is recommended base on the maximum ambient temperature is 50 °C.
2. The breaker should be selected according to the input rated voltage, input rated current, ambient temperature, and trip characteristic curve.



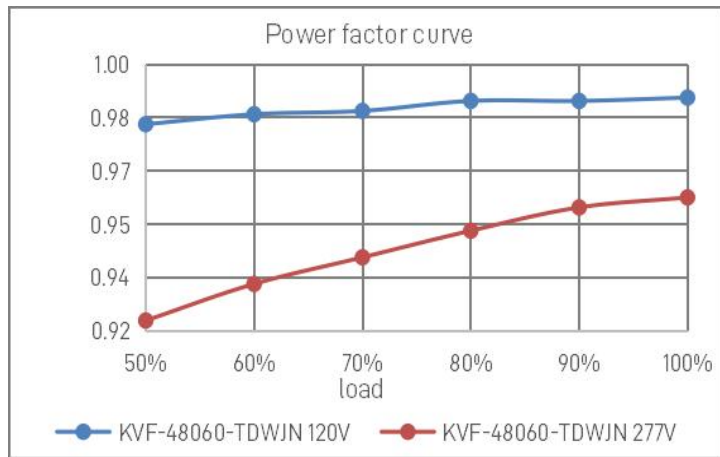


## TRIAC Dimmable LED Driver - Constant Voltage Output - PYJDTDW Series 60W

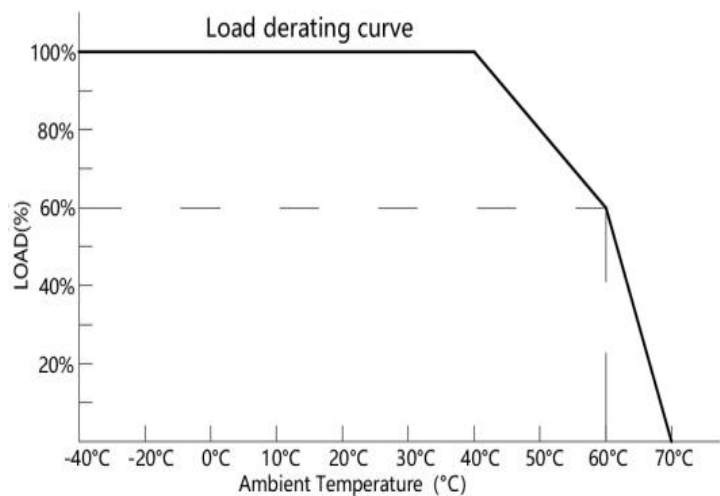
### Efficiency Curve (efficiency vs output load)



### Power Factor Curve



### Derating Curve (output load vs TEMP.)



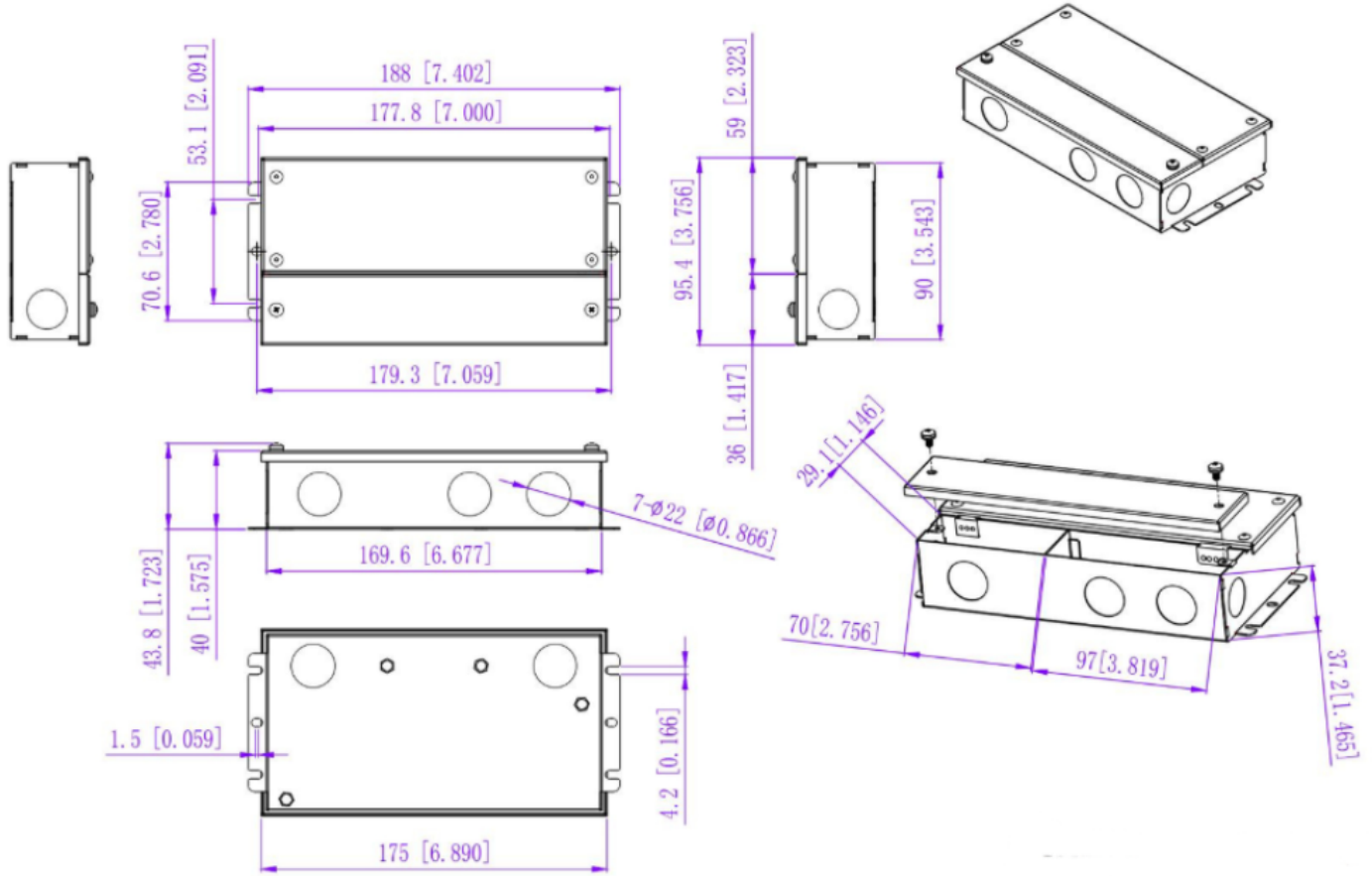
1. To extend their life, please refer to the Derating Curve and derate according to the temperature.
2. Please note that the rise in temperature of LED fixtures over a long period of time will cause their power to rise.

Therefore, we recommend the power supply to reserve a certain amount of load to avoid overloading.



TRIAC Dimmable LED Driver - Constant Voltage Output - PYJDTDW Series 60W

**Mechanical Specification**



American wire gauge	
JM85-H-A1	
Input wire	Black(L) White(N) Green(G) (3*18AWG)
Output wire	Red(V+) Black(V-) (2*18AWG)

**Warm tips:**

1. Recommended Max. Carrying Current (A) = wire diameter(mm<sup>2</sup>) x 10A/mm<sup>2</sup>  
For example: 1mm<sup>2</sup> output cable, Recommended Max. Carrying Current (A) = 1mm<sup>2</sup> x 10A/mm<sup>2</sup>=10A
2. Any other requests for cable, we can customize.



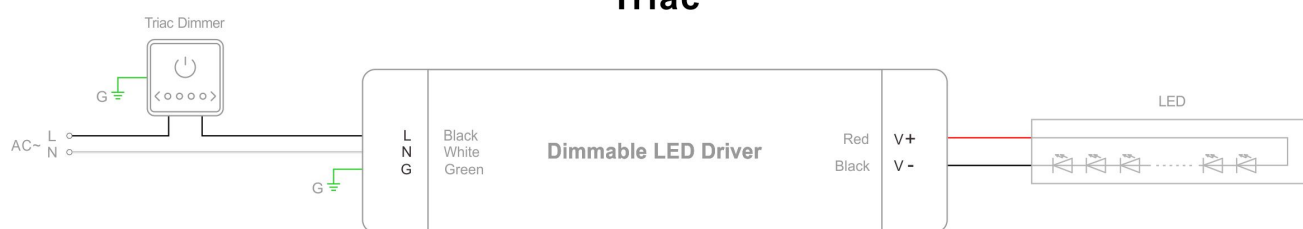
## TRIAC Dimmable LED Driver - Constant Voltage Output - PYJDTDW Series 60W

### Dimming Operation and Connecting Diagram

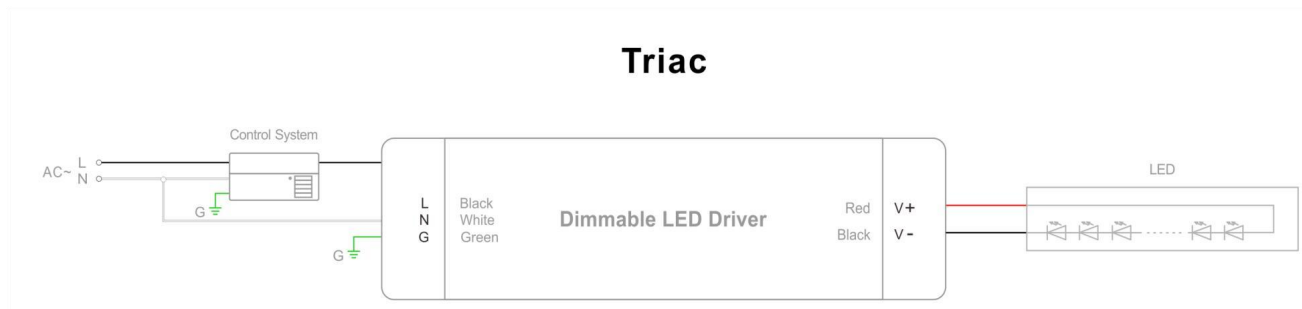
#### TRIAC/Phase cut dimming

1. The Pulse-Width Modulation (PWM) of output voltage can be adjusted through input terminal of the AC phase line(L) by connection a phase /Triac dimmer or lighting system.
2. Working with Forward phase, MLV and Reverse phase , ELV, TRIAC dimmers.
3. Min. loading is about 10%.
4. Please try to use dimmers with power at least 1.5 times as the output power of the driver.

### Triac



### Triac



### Instruction

1. This driver should be installed by qualified and professional person.
2. Please make sure the driver is installed with adequate ventilation around it to allow for heat dissipation.
3. Ensure that wiring is correct before test in order to avoid light and power supply damage.
4. If driver Cannot work normally, don't maintain privately.