



PYJD-TDW Series 96W

TRIAC Dimmable LED Driver - Constant Voltage Output - PYJD-TDW Series 96W



Class 2 Class P TYPE HL SELV RoHS



Features

Output:	Constant Voltage
Range:	100-277VAC
PFC design:	Built-in active PFC function
Efficiency:	Up to 82%
Protections:	Short circuit/ over load/ over temperature
Heat dissipation:	Cooling by free air convection
Waterproof performance:	Full Iron protection housing, for dry, damp & wet locations.
Dimming function:	Phase dimming: work with Forward phase, MLV and Reverse phase, ELV, TRIAC dimmers.
Dimming range:	0.1-100%
Application:	Suitable for the application of LED lighting
Warranty:	2 years warranty
Others:	PWM output, High power factor PF>0.9, flicker-free dimming



TRIAC Dimmable LED Driver - Constant Voltage Output - PYJD-TDW Series 96W

Specification

Model	PYJD-24096-TDW	
Certificate	UL / cUL / FCC / Class 2 / Class P / TYPE HL / SELV / RoHS / Reach	
Output	DCVoltage	24V
	VoltageTolerance	±0.5V
	VoltageRegulation	±0.5%
	Ratedcurrent	4A
	Ratedpower	96W
	LoadRegulation	±1%
Input	VoltageRange	100-277VAC
	FrequencyRange	50/60Hz
	PowerFactor(Typ.)@fullload	>0.9
	THD(Typ.)@fullload	<20%
	Efficiency(Typ.)@fullload	83%@120VAC 83%@277VAC
	ACCurrent(Max.)	1.3A
	InrushCurrent(Typ.)	20A,1.6ms@50%120VAC 20A,1.6ms@50%277VAC
	Leakagecurrent	<0.5mA
Protection	ShortCircuit	Shutdowno/pvoltage,re-powerontorecoverafterfaultconditionisremoved
	OverLoad	≤120%constantcurrentlimiting,recoversautomaticallyafterfaultconditionisremoved
	Overtemperature	Shellsurfacetemp.100 °C ±10 °C shutdowno/pvoltage,automaticallyrecoveraftercooling
Environment	WorkingTEMP.	-40~+60°C(seebelowderatingcurve)
	WorkingHumidity	20-95%RH non-condensing
	StorageTEM.,Humidity	-40-+80°C,10-95%RHnon-condensing
	TEMP.coefficient	±0.03%/°C(0-50°C)
	Vibration	10~500Hz,5G12minutes/cycle,XYZaxis72minuteseach
Safety & EMC	Safetystandards	UL8750; CAN/CSA-C22.2No.250.13
	Withstandvoltage	I/P-O/P:1.88KVAC I/P-FG:1.88KVAC O/P-FG:0.5KVAC
	Isolationresistance	I/P-O/P:100MΩ/500VDC/25°C/70%RH
	EMCImmunity	FCC/ICESdonotrequestthistest
	EMCEmission	FCCPart15,SubpartB; ANSIC63.4-2014
Others	NetWeight	1.28Kg
	Dimension	220*95.4*42.7mmmm(L*W*H)
	Packing	298*265*220mm 10pcs/CTN
Notes	<ol style="list-style-type: none"> AllparametersNOTspeciallymentionedaremeasuredat120VAC,ratedloadand25°Cofambienttemperature. Tolerance:includessetuptoleranceandloadregulation. 	

Due to continuous improvements, the information herein may be changed without notice

831 3rd St W, North Vancouver, BC V7P 3K7 Canada | P.: +1(604) 770-3315 | E: info@maxtarlighting.com

TRIAC Dimmable LED Driver - Constant Voltage Output - PYJD-TDW Series 96W

MCB recommendation

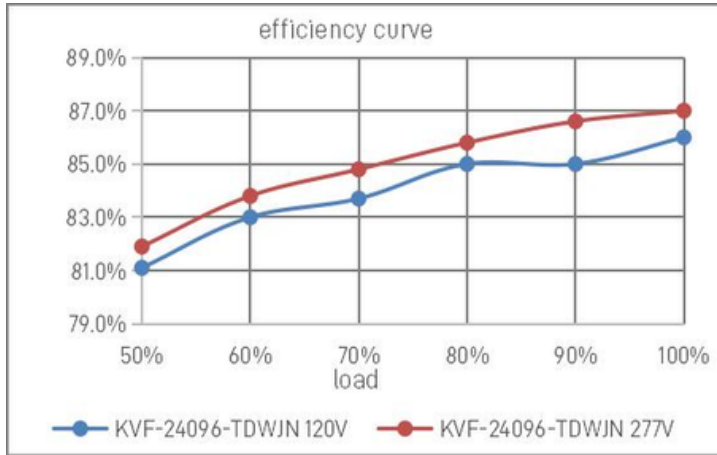
When the input voltage is 120Vac, the number of LED Driver matched by circuit breakers is as follows:		
MCBType	Level	The number of LED Driver
Ctype	10A	8
	13A	10
	16A	13
	20A	16
	25A	18
When the input voltage is 277Vac, the number of LED Driver matched by circuit breakers is as follows:		
MCBType	Level	The number of LED Driver
Ctype	10A	8
	13A	10
	16A	13
	20A	16
	25A	18

- Note:**
1. The above quantities of the led drivers connected on the Type C is recommended base on the maximum ambient temperature is
 2. 50 °C. The breaker should be selected according to the input rated voltage, input rated current, ambient temperature, and trip characteristic curve.

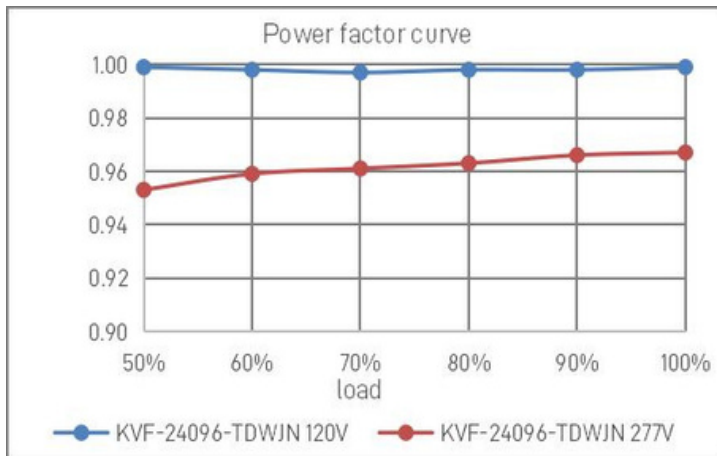




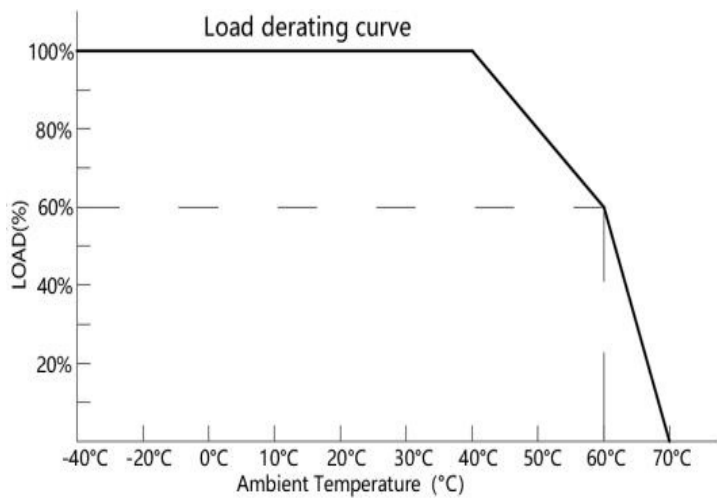
Efficiency Curve (efficiency vs output load)



Power Factor Curve



Derating Curve (output load vs TEMP.)



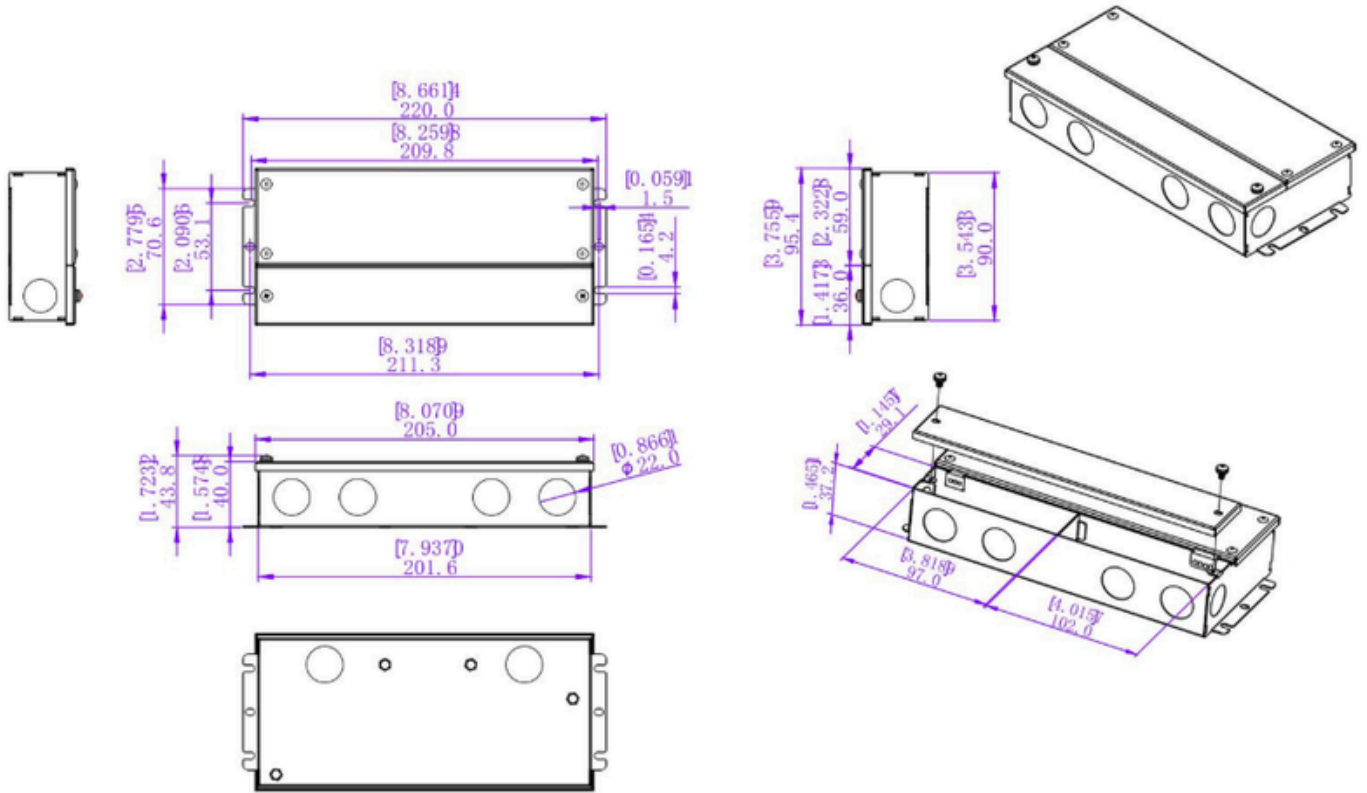
1. To extend their life, please refer to the Derating Curve and derate according to the temperature.
2. Please note that the rise in temperature of LED fixtures over a long period of time will cause their power to rise.

Therefore, we recommend the power supply to reserve a certain amount of load to avoid overloading.



TRIAC Dimmable LED Driver - Constant Voltage Output - PYJD-TDW Series 96W

Mechanical Specification



American wire gauge	
JM88-A1	
Input wire	Black(L) White(N) Green(G) (3*18AWG)
Output wire	Red(V+) Black(V-) (2*18AWG)

Warm tips:

- Recommended Max. Carrying Current (A) = wire diameter(mm²) x 10A/mm²
For example: 1mm² output cable, Recommended Max. Carrying Current (A) = 1mm² x 10A/mm²=10A



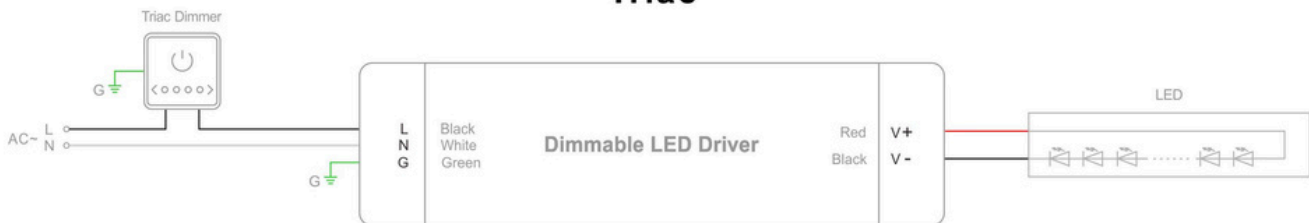
TRIAC Dimmable LED Driver - Constant Voltage Output - PYJD-TDW Series 96W

Dimming Operation and Connecting Diagram

TRIAC/Phase cut dimming

1. The Pulse-Width Modulation (PWM) of output voltage can be adjusted through input terminal of the AC phase line(L) by connection a phase /Triac dimmer or lighting system.
2. Working with Forward phase, MLV and Reverse phase, ELV, TRIAC dimmers.
3. Min. loading is about 10%.
4. Please try to use dimmers with power at least 1.5 times as the output power of the driver.

Triac



Triac



Instruction

1. This driver should be installed by qualified and professional person.
2. Please make sure the driver is installed with adequate ventilation around it to allow for heat dissipation.
3. Ensure that wiring is correct before test in order to avoid light and power supply damage.
4. If driver Cannot work normally, don't maintain privately.