

Deep Regressed Downlight



Description:

LED commercial downlights have been upgraded 4th generation since 2013. Each engine works seamlessly with the all trims, making it truly modular. It is the ideal way to upgrade virtually any existing incandescent, CFL and HID commercial open frame rough-in section to high-performance LED illumination in a matter of minutes. Light engine is mounted directly to aluminum trim providing superior thermal management to ensure long life. A pin aluminum reflector integrated with haze finish and white trim ring with shadow-free trim is available in 4", 6", 8" and 10" with up to 80W, which is designed and engineered for recessed applications, which is suitable for commercial and public places, such as shopping mall, hospital, airport, hotel lobby, etc.

Model: DNLR-27/40/80-OK



Optical:

CCT:	3K, 35K, 4K CCT selectable
Efficacy:	85lm/w
CRI:	>80



Electrical:

Rated Power:	14 - 80 W
Input voltage:	100-277V AC

Life:

Lumen maintenance:	50,000 hours
Warranty:	2 Years

General:

Dimmable Solution:	1-10V Dimming
Environment:	Damp Location
Operating temperature:	-20°C~40°C
Finish color Availability:	White /Black /Silver
Material:	Die Casting ADC12
Certification:	cULus



Deep Regressed Downlight



Performance :

Model No.	Size	Lumen Output			CCT Adjustable	Type
		High	Medium	Low		
DNLR27-OK	4"	14W,1148LM	20W,1600LM	27W,2025LM	3000K,3500K,4000K	IC
DNLR40-OK	6"-8"-10"	40W,3500LM	27W,2300LM	18W, 1500LM	3000K,3500K,4000K	IC
DNLR80-OK	6"-8"-10"	80W.6800LM	65W, 5500LM	50W, 4200LM	N/A	NON-IC

Ordering Table :

EXAMPLE:DNLR-40-27-06-NC-UNV-3C-EM-OK

Model	Watt	Input VAC	Size	Type	DIM	CCT	Option
DNLR-OK	27 40 80	120 :11 100-277:27	4": 04 6": 06 8": 08 10":10	New Construction : NC Remodel : R	Triac: T 1-10V :UNV	3CCT:3C 3000K:3K 4000K:4K 5000K:5K	Emergency Driver:EM



Deep Regressed Downlight

Specification :

Optics

Spun aluminum reflector integrated with haze finish and white trim ing with shadow free, deeply regressed diffusing lens conceals the LEDs from direct view.

Electrical

LED Driver	Powered by Class 2 high efficiency LED driver, with a standard 1-10V dimming which continuous dims to 10% that works with many types of controls. Tested @ Dimmers: Lutron Diva-Dvtv, Leviton IP-710-DL.
THD	<20%
Power Factor	>0.9
Input Voltage	Standard electronic drivers are cULus recognized and available for 110-277V AC.

LED System

CRI	Minimum 80 color rendering index
CCT	color temperature with a great color consistency, or CCT adjustable from 3000K,3500K and 4000K @27 and 40
LED	Life Minimum 50,000h with 87.8% of lumen maintenance in 25°C ambient temperature, in compliance with IES LM-80 testing measurements
Thermal Management	Aluminum housing acting as the heat sink to maximize life.
Environment	Damp rated in operating ambient temperatures of -20°C~40°C .

Mounting

It is provided with spring steel friction clips allowing for installation in a variety of commercial recessed open frame rough-in sections.

Certifications:

cULus listed for damp locations
 Energy Star Listed
 Tested to IESNA LM-79 and LM-80
 2 years limited warranty

Optional Function

Emergency Option	Optional low voltage emergency LED driver EM-L series can be provided. When AC power fails, it immediately switches to the emergency mode, operating for lighting up to 120 minutes. When AC power is restored, it automatically returns to the charging mode which meets critical life-safety lighting requirements. For more info or spec sheet, please visit our website or contact sales.
------------------	--





Deep Regressed Downlight

Twist And Lock Engine - Lower Stock Risk Allow Easy Modifications On Site

Light engine is mounted directly to aluminum trim providing superior thermal management to ensure long life. Spun aluminum reflector integrated with haze finish and white trim ring with shadow free. Deeply regressed diffusing lens conceals the LEDs from direct view.



LED DRIVER

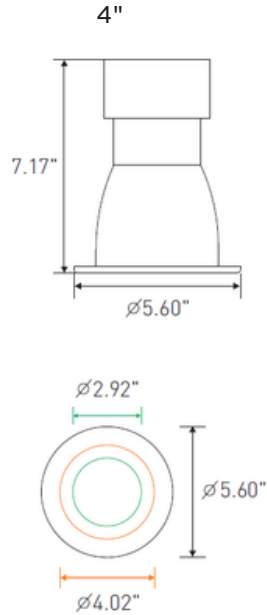
Isolated and class 2 output led driver that accommodates input voltages from 110-277 volts AC or 110-347 volts AC, dimming with the use of most 1-10V dimmers





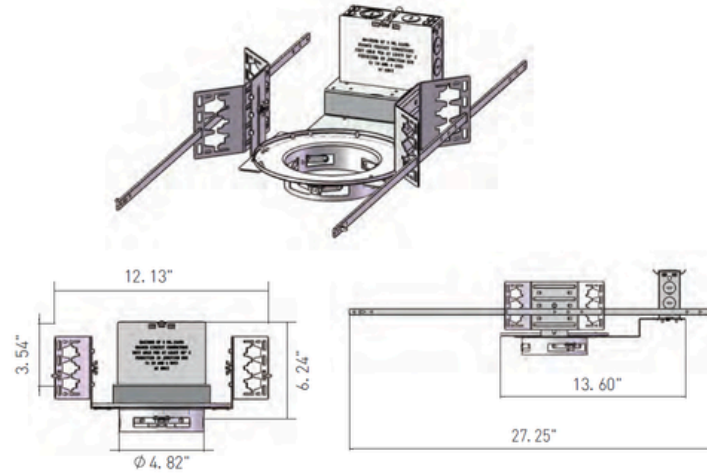
Deep Regressed Downlight

DIMENSIONS

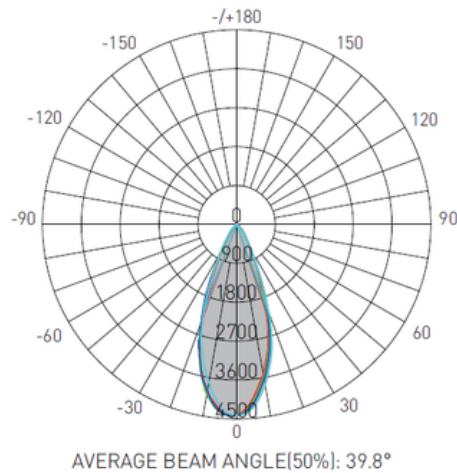


Mounting Diameters: 4"-4.7"

OPTIONAL NEW CONSTRUCTION FRAME



DISTRIBUTION DIAGRAM



Test Number: C4-D27W-35T
Lumens: 2277.5 Lm
Watts: 25.99 W
LPW: 87.64 Lm/W
CCT: 3500K

UNIT: cd
— C0/180,38.5°
— C30/210,39.6°
— C60/240,40.5°
— C90/270,40.5°

Zonal Flux Diagram

T	C0	C45	C90	C135	C180
10	3526	3614	3773	3777	3951
20	1840	2066	2173	2290	2289
30	642.7	620.7	633.2	645.9	650.1
40	267.3	232.0	212.4	186.8	208.2
50	104.0	90.10	77.47	62.39	72.44
60	39.11	33.57	28.98	23.40	26.49
70	13.31	12.29	11.50	9.398	10.05
80	2.398	2.615	3.295	2.316	2.221
90	0.1544	0.0725	0.0700	0.0748	0.0755
100	0.0794	0.0794	0.0934	0.0864	0.0794
110	0.0794	0.1074	0.1401	0.1260	0.1335
120	0.1587	0.2077	0.2662	0.2522	0.2522
130	0.3638	0.4527	0.5326	0.5250	0.4906
140	1.012	1.181	1.243	1.153	1.084
150	2.687	2.862	2.845	2.633	2.519
160	4.998	5.053	5.034	4.790	4.666
170	7.029	7.112	7.158	6.916	6.752
180	8.081	8.177	8.179	8.207	8.086
DEG	LUMINOUS INTENSITY:cd				

Zonal Lumens

T	φ total
0-10	386.8
10-20	1227
20-30	1816
30-40	2068
40-50	2187
50-60	2240
60-70	2262
70-80	2270
80-90	2271
90-100	2271
100-110	2271
110-120	2271
120-130	2272
130-140	2272
140-150	2273
150-160	2275
160-170	2277
170-180	2278
	UNIT: lm

Luminance cd/(m2)

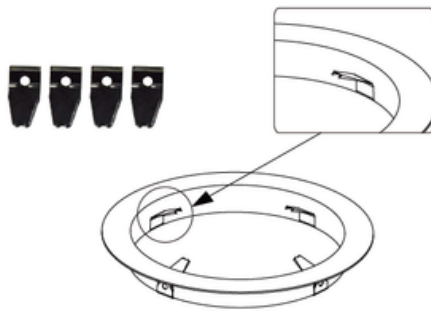
G(DEG)	C0/180	C90/270
85	863	1168
80	1748	2402
75	3276	3333
70	4927	4256
65	7042	5477
60	9902	7336
55	14117	10335
50	20479	15256
45	30007	23078



Deep Regressed Downlight

MOUNTING ACCESSORY

STANDARD-CLIPS



OPTIONAL-SPRING CLIPS

Designed for CES downlight fixation, this spring clip can be used to secure the light to the housing frame kit if the existing clips could not match the mounting diameters. Made of premium material for long time and durable use.

6inch



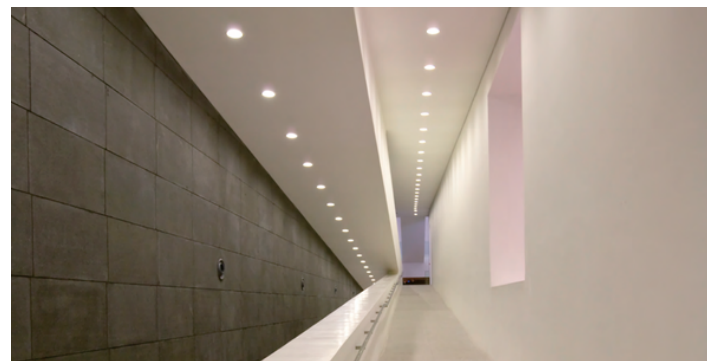
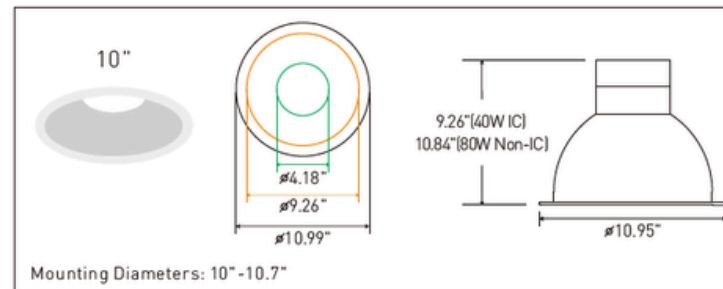
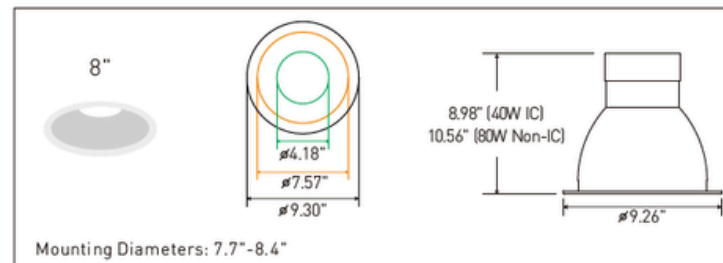
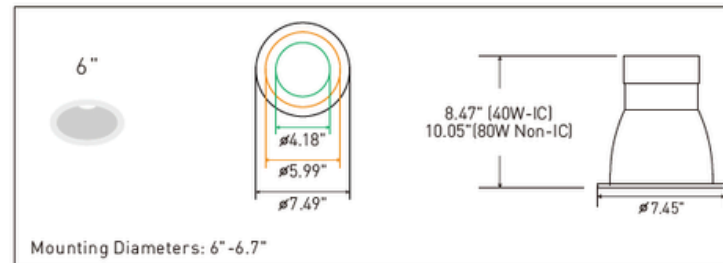
8inch



10inch



DIMENSIONS

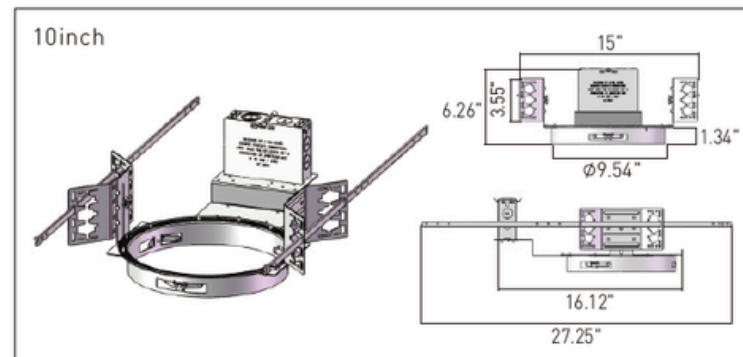
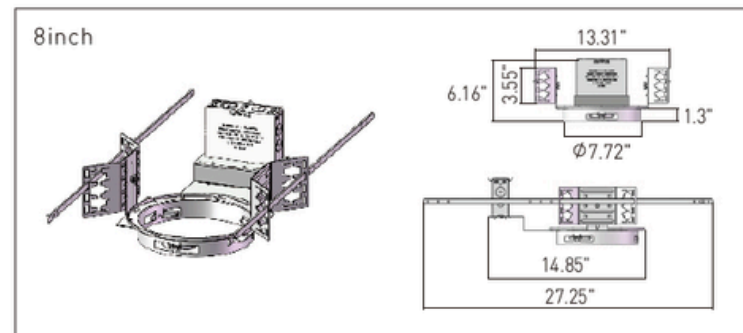
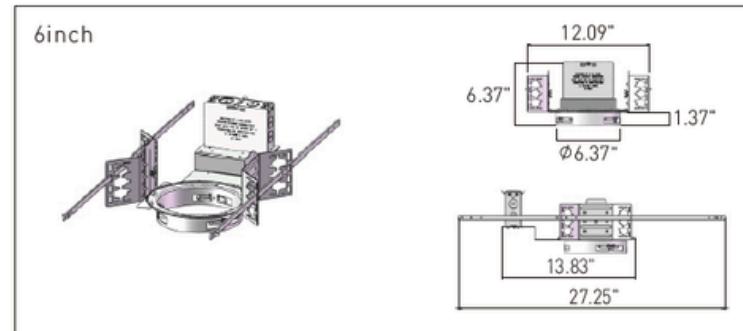




Deep Regressed Downlight

OPTIONAL NEW COSTRUCTION FRAME

The frame kit was specifically designed for the CES series, it delivers the perfect aperture for a tight, seamless fit. This minimizes the space and materials required for installation. steel housing frames are suitable for new construction. They are available in 6 inch, 8 inch and 10 inch

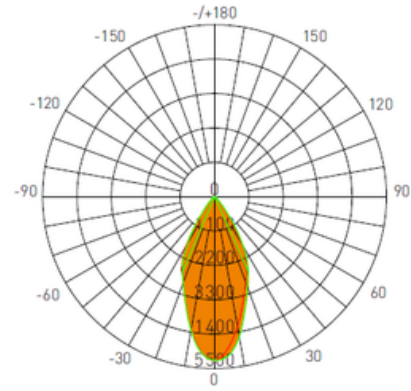




Deep Regressed Downlight

DISTRIBUTION DIAGRAM

8" -40W



AVERAGE BEAM ANGLE(50%): 46.9°

Lumens: 3454.8 Lm
Watts: 40 W
LPW: 86.37 Lm/W
CCT: 3000K

UNIT: cd
— C0/180,23.6,23.1
— C90/270,23.2,24.0

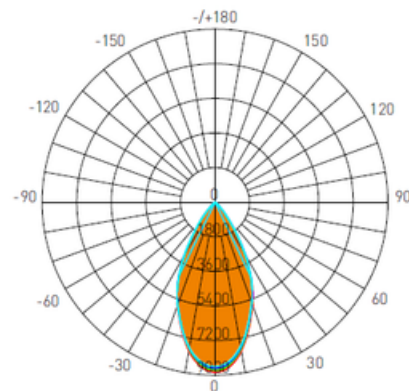
Zonal Flux Diagram

T	C0	C45	C90	C135	C180
10	4207	4415	4558	4486	4303
20	2908	2989	3048	3017	2951
30	1783	1845	1841	1886	1860
40	404.4	449.3	484.6	473.0	456.1
50	86.32	93.34	102.6	97.79	98.80
60	28.65	31.97	35.80	31.96	31.76
70	11.68	13.27	14.63	12.86	12.69
80	4.325	4.949	5.424	4.908	4.774
90	0.0042	0.0048	0.0057	0.0085	0.0064
100	0.0030	0.0028	0.0022	0.0028	0.0042
110	0.0069	0.0047	0.0056	0.0044	0.0083
120	0.0130	0.0125	0.0130	0.0125	0.0155
130	0.0296	0.0321	0.0255	0.0322	0.0305
140	0.0873	0.0858	0.0741	0.0856	0.0737
150	0.1587	0.1440	0.1159	0.1539	0.1406
160	0.1934	0.2072	0.1962	0.2238	0.2125
170	0.1596	0.2089	0.2004	0.2279	0.2055
180	0.1087	0.1105	0.1023	0.0966	0.1065
DEG	LUMINOUS INTENSITY:cd				

Zonal Lumens

T	φ total
0-10	456.9
10-20	1464
20-30	2576
30-40	3195
40-50	3372
50-60	3423
60-70	3443
70-80	3452
80-90	3454
90-100	3454
100-110	3454
110-120	3455
120-130	3455
130-140	3455
140-150	3455
150-160	3455
160-170	3455
170-180	3455
	UNIT: lm

8" -80W



AVERAGE BEAM ANGLE(50%): 51.6°

Lumens: 6288.5 Lm
Watts: 80 W
LPW: 78.61Lm/W
CCT: 3000K

UNIT: cd
— C0/180,51.0°
— C30/210,51.4°
— C60/240,51.9°
— C90/270,52.0°

Zonal Flux Diagram

T	C0	C45	C90	C135	C180
10	7872	7743	7625	7552	7858
20	5741	5648	5579	5538	5777
30	3072	3196	3154	3133	3168
40	863.6	934.3	953.4	979.2	923.3
50	154.7	156.7	165.2	184.7	180.9
60	31.91	32.07	35.00	42.64	40.87
70	11.69	11.21	11.99	13.96	13.43
80	4.327	4.261	4.534	4.810	4.632
90	0.1629	0.1966	0.1448	0.1684	0.1504
100	0.1616	0.1471	0.1497	0.1443	0.1623
110	0.2522	0.2166	0.2029	0.2166	0.2211
120	0.5132	0.4694	0.4464	0.4604	0.4604
130	1.495	1.490	1.513	1.454	1.427
140	4.095	4.071	4.131	3.953	4.054
150	8.045	7.940	7.982	7.733	7.987
160	12.49	12.36	12.22	11.98	12.40
170	16.29	16.02	15.74	15.54	16.30
180	17.76	17.60	17.17	17.10	17.83
DEG	LUMINOUS INTENSITY:cd				

Zonal Lumens

T	φ total
0-10	775.2
10-20	2630
20-30	4656
30-40	5823
40-50	6169
50-60	6241
60-70	6261
70-80	6269
80-90	6271
90-100	6271
100-110	6272
110-120	6272
120-130	6273
130-140	6275
140-150	6278
150-160	6283
160-170	6287
170-180	6288
	UNIT: lm

Luminance cd/[m2]

G/DEG	C0/180	C90/270
85	466	681
80	880	923
75	1033	1049
70	1207	1239
65	1530	1617
60	2255	2474
55	4114	4540
50	8505	9079
45	18529	21493



Deep Regressed Downlight

