

### Aeria 24 &22

#### Description:

Upgrade your office lighting with the Indirect Troffer Light, a stylish and efficient alternative to flat panel lights. Its indirect illumination reduces glare, providing smooth, uniform lighting that enhances both comfort and aesthetics. Available in 2x4 and 2x2 sizes, this fixture offers wattage and CCT adjustability for customizable brightness and color temperature. Optional features include battery backup for power outages and a microwave motion sensor for energy efficiency. Combine modern design with superior functionality for a well-lit and elegant workspace



---

**Model: PLLSTI**

---

#### Optical:

CCT: 3500K/4000K/5000K  
Efficacy: 115lm/W  
CRI: >80

---



#### Electrical:

Rated Power: Watt Selectable 20W-50W  
Input voltage: 100-277V AC  
Beam Angle: 120°

---

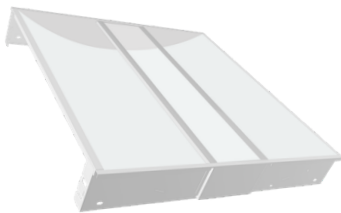
#### Life:

Lifespan: 50,000 hours  
Warranty: 2 Years

---

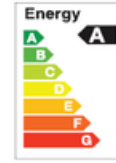
#### General:

Dimmable Solution: 0-10V Dimming  
Material: Die formed of 0.5mm cold-rolled steel body.  
Finish color Availability: White  
Diffuser: High-diffusion light-milky PS diffuser  
Applications: school, hospital, super market, office and warehouse.

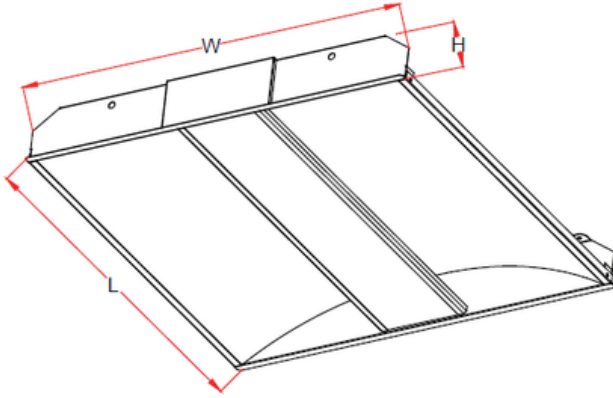




### Aeria 24 &22



### Dimension :



Model	L×W×H
PLLSTI 22	603x603x80 (mm)/23.74"x23.74"x3.15
PLLSTI 14	1213x303x80(mm)/47.76"x11.93"x3.15"
PLLSTI 24	1213x603x80(mm)/47.76"x23.74"x3.15"

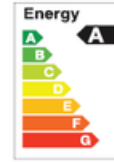
### Specification

Model	Power	Input Voltage	Luminous Flux	Luminous Efficacy	CCT	Viewing Angle	Ra	PF
PLLSTI 22	30 W	AC100-277V	3450 lm	115lm/W	3500K 4000K 5000K	120°	>80	>0.9
PLLSTI 22	40 W		4600 lm					
PLLSTI 14	30 W		3450 lm					
PLLSTI 14	40 W		4600 lm					
PLLSTI 24	40 W		4600 lm					
PLLSTI 24	50 W		5750 lm					

### Ordering Table :

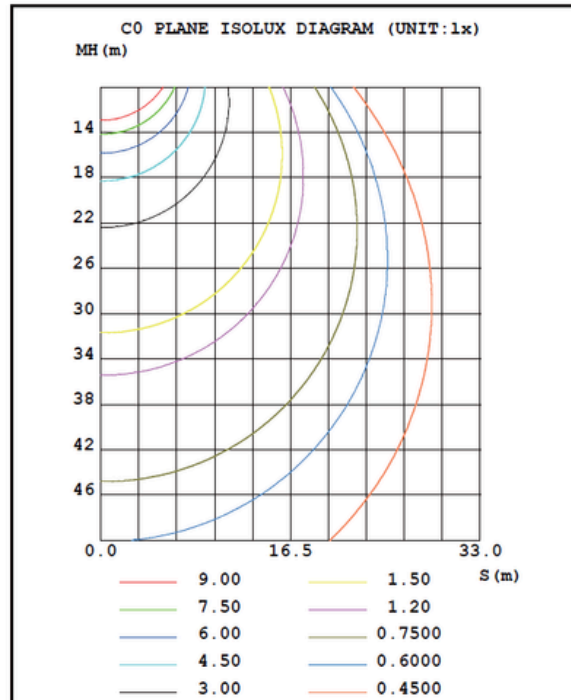
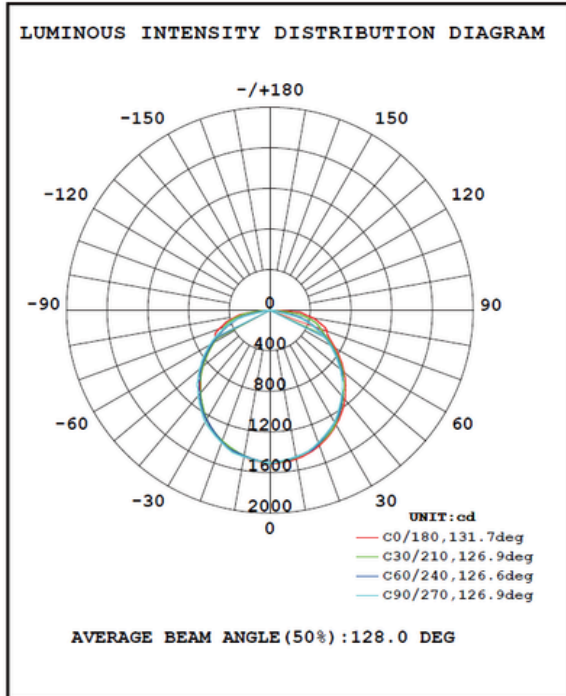
EXAMPLE:PLLSTI-50-40-UNV

Model	Watt Selectable	CCT Selectable	Input VAC
PLLSTI	50:50W,40W,30W 40:40W,30W,20W	35:3500K 40:4000K 50:5000K	UNV:100-277

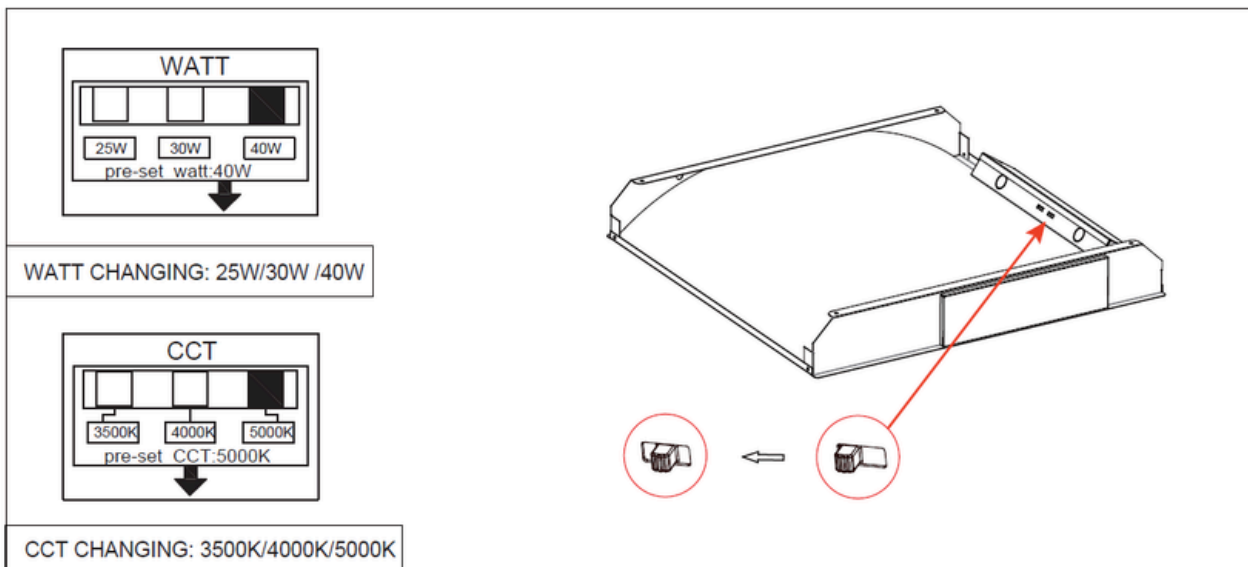


### Aeria 24 &22

### Testing Report



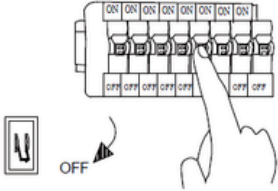
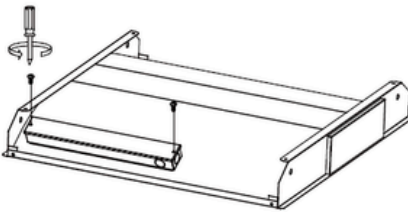
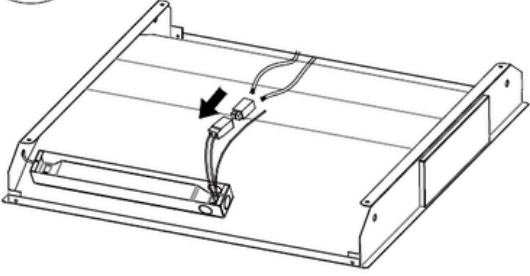
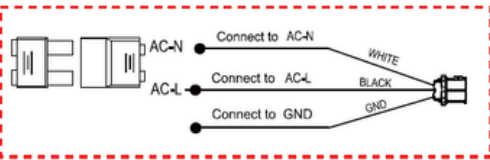
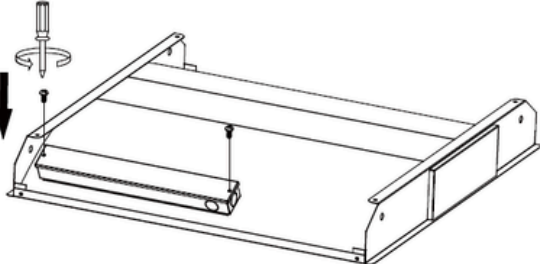
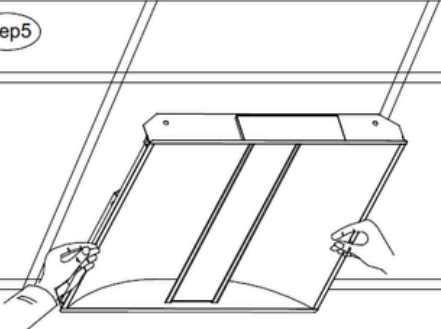
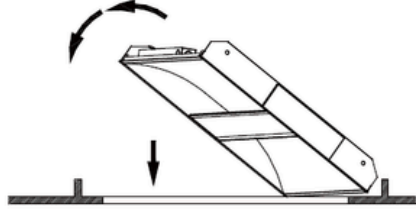
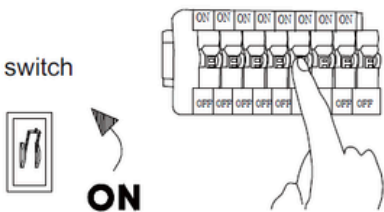
### CCT AND WATT CHANGING





## Aeria 24 &22

### Installation manual





<p><b>Step1</b></p>  <p>Turn off the switch</p>	<p><b>Step2</b></p> 
<p><b>Step3</b></p>  <p><b>Wiring Diagram</b></p> 	<p><b>Step4</b></p> 
<p><b>Step5</b></p> 	<p><b>Step6</b></p> 
<p><b>Step7</b></p> <p>Turn on the switch</p> 	

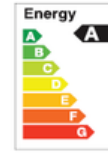


**Aeria 24 &22**



**Accessories**

Part Number	Description	Image
Emergency Driver	MODEL:BLD-CM20N-480320-8W INPUT : VOLTAGE 100~277Vac FREQUENCY 50/60Hz AC CURRENT 550mA EFFICIENCY 100V:≥85% 277:≥85% OUTPUT :OUTPUT VOLTAGE 25-48Vd	
Emergency Driver	MODEL:BLD-CM20E-480320-8W INPUT : VOLTAGE 100~277Vac FREQUENCY 50/60Hz AC CURRENT 550mA EFFICIENCY 100V:≥85% 277:≥85% OUTPUT :OUTPUT VOLTAGE 25-48Vdc	
Sensors	MODEL: ANT-7 12-24V 0-10V Dimming, Installation height 12ft MAX Magnet, Remote control dialing setting parameters	
Sensors	MODEL:HB001VCR Operating Voltage:10.5-15V Operating Current:<30mA Stand-by power:<0.5W Control MethodDIM 1-10V /DIM 1-10V DIMING Detection Angle 30-150°30-150 Without Glass Cover Microwave Power:<0.3mW Mounting Height Max.4m/13.12ft DIP Switch/Remote Control HDO5R	



## Aeria 24 &22

### Important

Read this instruction carefully before installation. Keep it for further reference.  
Make electrical and grounded connections in accordance with the national electrical code and any applicable code. Always turn off the power supply before installation.  
This product must be installed in accordance with the applicable installation code by a qualified electrician who is familiar with the construction and operation of the product and the hazards involved.

### WARNING

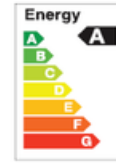
- ⚠ Risk of fire or electric shock. Fixture installation requires knowledge of luminaires electrical systems. If not qualified, DO NOT attempt installation. Contact a qualified electrician.
- ⚠ Risk of fire or electric shock. Suitable for wet locations. Always turn off the power supply before installation.
- ⚠ Risk of fire or electric shock. Suitable for non-insulated surface and frame. DO NOT cover fixture with insulation liner or similar material.
- ⚠ DO NOT install fixture on unstable, loose or easily breakable surface.
- ⚠ DO NOT exert force on the surface of the fixture.

### Note

- 1.The installation and maintenance must be completed by electricians or professionals.
2. Please cut off the power before installation and maintenance.
3. The thermally insulating material is not allowed to cover the fixture.
- 4.Please keep away from the corrosive substance, and keep the fixture dry and clean.
- 5.Working temperature: -4°F~113°F, storage temperature: -22°F~140°F.



## Aeria 24 &22



### Application

