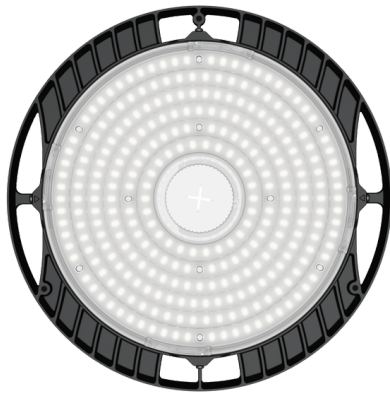




LED HIGH BAY

Description:

Introducing our LED High Bay Light: The ultimate replacement for metal halide fixtures. Its all-in-one design allows for adjustable CCT, beam angle, and wattage, meeting diverse lighting needs effortlessly. With options like the U bracket installation kit and motion PIR sensor with remote control, experience convenience and versatility like never before.



Model: HYL200H65112CBKAG

Optical:

CCT:	4000K /5000K
Lumen Efficacy@4000K:	160 LM/ W
Lumen Efficacy@5000K:	150 LM/ W
Lumen flux(±10%):	32000LM@4K-200W
LED Type:	LED 2835
CRI:	Ra80

Electrical:

Rated Power:	200 / 160 / 120W
Input voltage:	100-277VAC, 50 / 60 Hz
Beam angle:	60°/85°/105° selectable
Power factor:	>0.95

Life:

Lumen maintenance:	50,000 Hrs
Warranty:	2 Years

General:

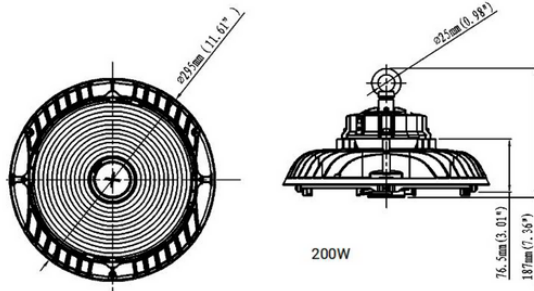
Dimmable Solution:	0-10V
IP:	IP65
IK:	IK08
Operating temperature:	30°C to + 50°C(-22°F to +122°F)
Finish color Availability:	Black
Applications:	Warehouse /Industrial facility /Exhibition center Shopping Mall / Gymnasium /Toll Station



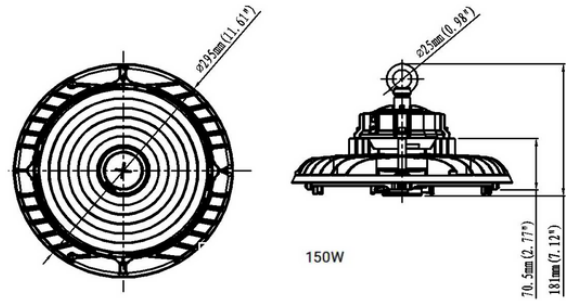


LED HIGH BAY

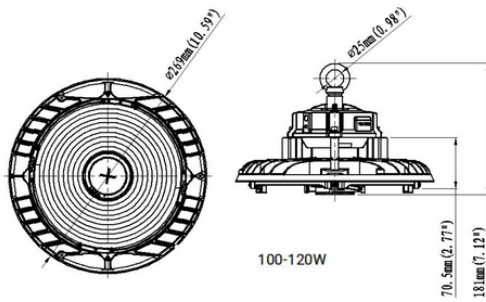
DIMENSIONS



200W

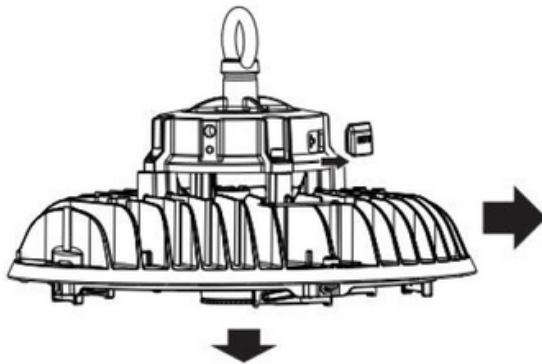


150W



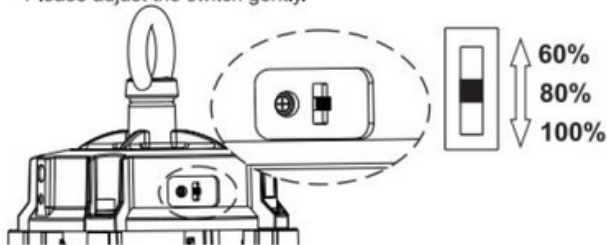
100-120W

Features

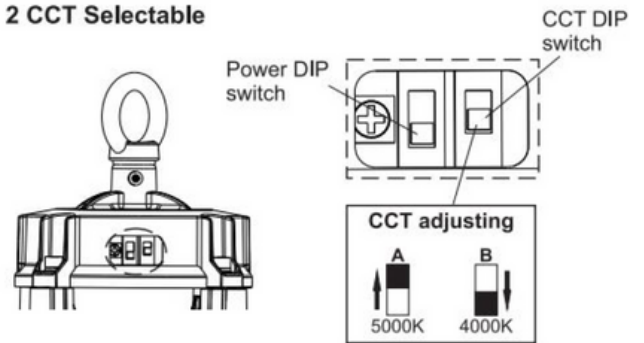


Power Selectable

Caution:
Please power off the luminaire before adjusting the DIP switch.
Please do not use metal tool to adjust the DIP switch.
Please adjust the switch gently.



2 CCT Selectable





LED HIGH BAY

Additional Accessories

PIR sensor
PC
Φ61*28mm



Adjustable bracket
SPCC materials with outdoor
powder coating.



Mounting Options

Ceiling mounting

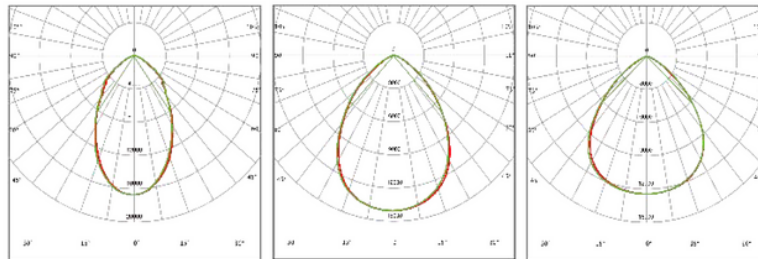


Loop mounting



PHOTOMETRY

100W/120W (Selectable) beam angle



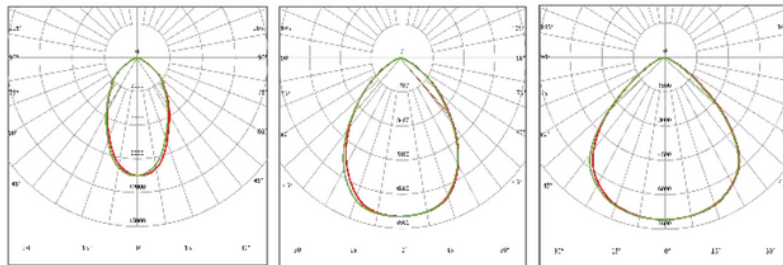
N

M

W

(H00176)

150W/200W (Selectable) beam angle



N

M

W

(H00175)