



UWP05 GSITE LED WALL PACK LIGHT

Description:

Introducing our LED Wall Pack: Designed with a slim profile to minimize space while delivering an impressive 125 lumens per watt. Enhance the modern aesthetic of your commercial or residential building facade with this sleek lighting solution. Easy installation on standard electrical junction boxes makes this product a convenient choice for any application. Illuminate your space efficiently and stylishly with our LED Wall Pack.



Model: WLLP05XX11XXXXKAG

Optical:

CCT:	5000K (4000K optional)
Lumen Efficacy:	125LM/W
LED Type:	LED 3030
CRI:	Ra70

Electrical:

Rated Power:	12W / 25W / 30W / 40W / 70W
Input voltage:	100-277 VAC 50 / 60 Hz
Beam angle:	U04201 / R08401
Power factor:	≥0.9 at Max Load

Life:

Lumen maintenance:	48,000hrs
Warranty:	2 YEARS

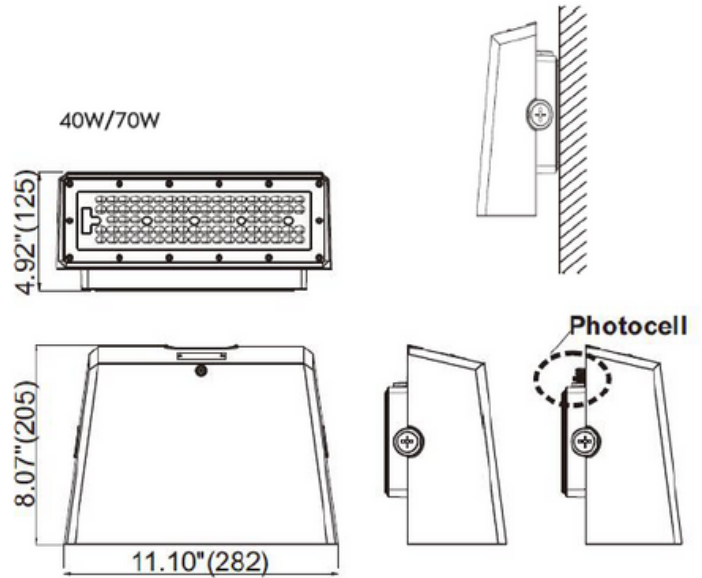
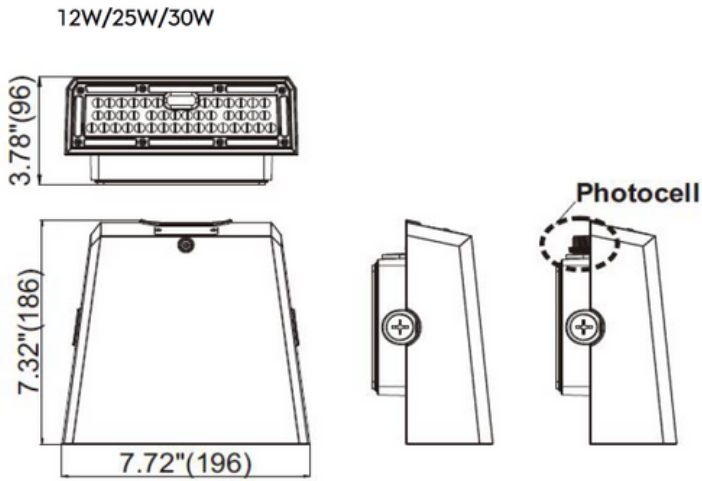
General:

Dimmable Solution:	N/A
IP:	IP66
IK:	IK08
Operating temperature:	-30°C to + 45°C
Material:	Cast Aluminum
Finish color Availability:	Powder Coating
Fixture Color:	Sliver gray
Certification:	cETLus
Application:	Security / Pathway and Perimeter lighting / Building facades



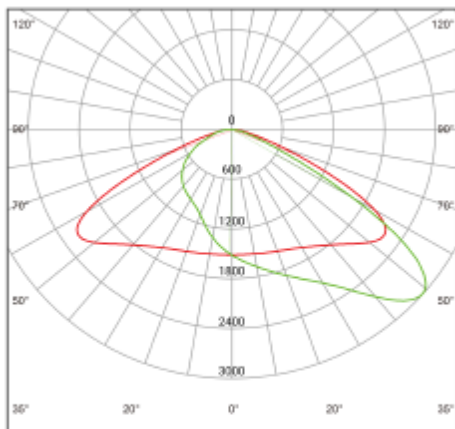
UWP05 GSITE LED WALL PACK LIGHT

DIMENSIONS



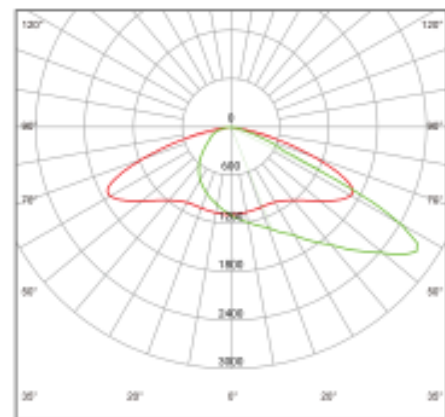
PHOTOMETRY

12W/25W/30W



U04201

40W/70W



R08401