



## Lumina Track Light

### Description:

The track light heads offer an adjustable, scalable lighting solution for residential and commercial locations. Structural arm provides a wide range of motion and maintains placement for precise illumination. Long-lasting, energy efficient ,COB LED chips provides high-quality, zero maintenance light. With standard line voltage, mount to a compatible H-type tracks system. With CRI up to 90Ra, use one or multiple track heads to highlight artwork, architecture , retail products, or accent lighting



### Features:

#### Innovative Thermal Design:

Aluminum housing, high strength and hardness with convective holes for better heat dissipation.

#### Dimming:

Triac dimming, smooth range from 100 %to 10%, and compatible with most dimmers, such as Lutron, Leviton, Smart Home, Arctic Lighting etc.

#### CCT Adjustable:

It can be applied in various scenarios of different colors, only using one light. Also it can help you reduce overstock and reduce purchasing cost.

#### Unique Anti-glare Design:

It can effectively reduce the damage of light to eyes and reduce glare pollution.

#### LED Characteristics:

CREE COB LED chips, strong penetrability , high fidelity CRI up to 95Ra and high efficacy up to 110lm/W.

#### Flexible Rotation:

Adjustable track heads with 350° horizontal & 90° vertical rotation, which allows y ou direct the light beam exactly and light up where you need brightness.t

### Specification:

#### Optical:

CCT:	5CCT Adjustable
Lumen per wattage:	90LM/W @3000K 36°
LED :	COB
CRI:	Up to 97Ra

#### Electrical:

Rated Power:	10W/12W/20W
Power Factor:	≥0.98
Track Adapter:	H-type, J-type, L-type
Input voltage:	AC120V / 60HZ
Beam Angle:	15°, 25°, 36°,55°, 60°

#### Life:

Lumen maintenance:	42,300hrs L70(7K) TM21@85°C
Warranty:	3 Years

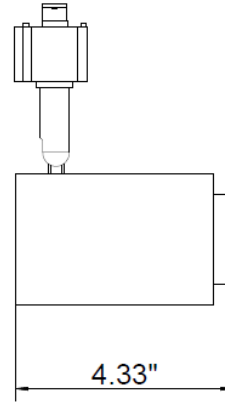
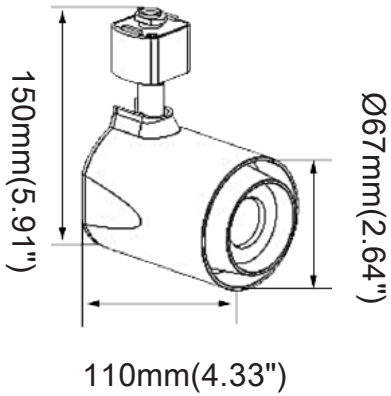
#### General:

Dimmable Solution:	Triac Dimming 100% - 10%
Compatible Dimmer:	Lutron, Leviton etc.
Tilt:	90° Vertical
Rotation:	350° Horizontal
Body:	Black, White
Application:	Museum, Gallery, Stores, Showroom, Supermarkets, Hotels, Restaurant etc.
Certification:	cETLus , FCC

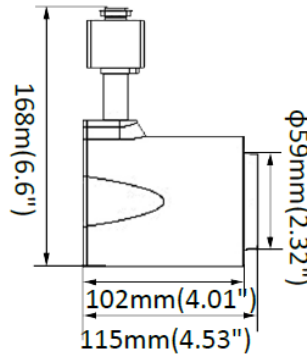
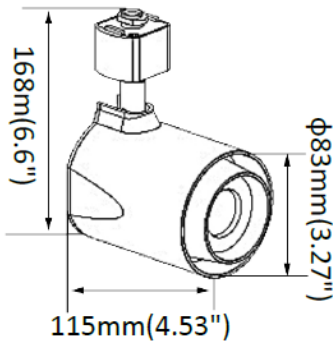


**Lumina Track Light**

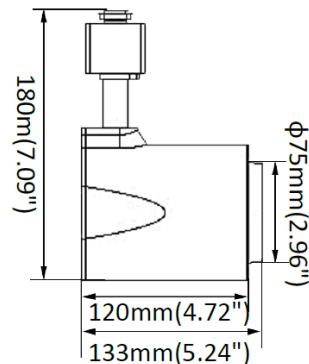
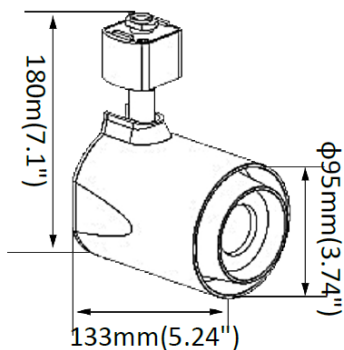
**DIMENSIONS: 10W-12W**



**DIMENSIONS: 15W-20W**



**DIMENSIONS: 25W-30W**





**Lumina Track Light**

**Ordering Table Light Head:**

**Sample: TRSLM-12-36-WH-H**

Model	Wattage	Beam angle	Finish	Adaptor
TRSLM	10 w 10 12 w 12 20 w 20 25 w 25 30 w 30	15° 25° 36° 60°	Black :Bk White: WH Grey: GR	H Type : H J Type: J L Type : L






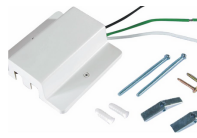



**Ordering Table Tracks:**

**sample : TRKLM-2-3W-S-WH**

Model	Lenght	Circuit	installtion	finish
TRKLM	2 feet 4 feet 6 feet 8 feet	3-wire HALO , 1 Circuit :3W	Surface : S Pendant : P Recessed :R	Black:BK White:WH

**Acessories:**

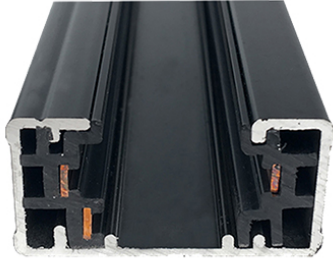
White :W , Black :B ,Grey :G

	<b>Cable:C</b> A W/B/G		<b>L Connector</b> D W/B/G		<b>Flexible connector</b> G W/B/G
	<b>Live End Connector</b> B W/B/G		<b>T Connector</b> E W/B/G		<b>Floating Canopy</b> H W/B/G
	<b>Joiner</b> C W/B/G		<b>Cross Connector</b> F W/B/G		<b>Monopoin Canopy</b> I W/B/G

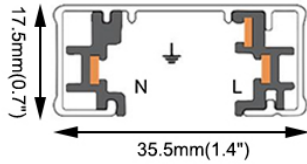


**Lumina Track Light**

**H Track 120V Single Circuit**



**H Track System**



**H Type Adaptor**



**Track : 3 wire Halo H Type**

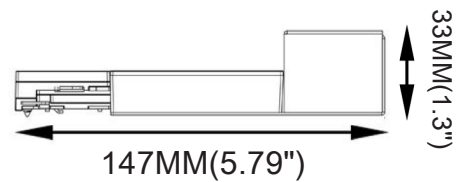
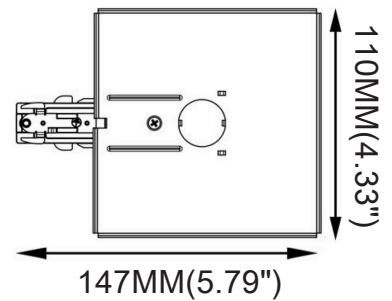
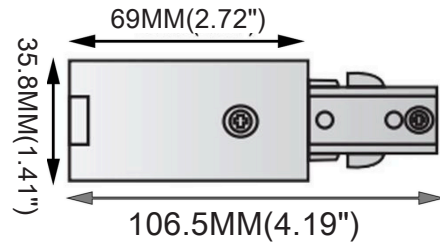
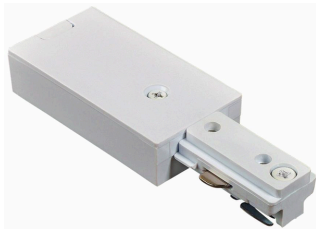
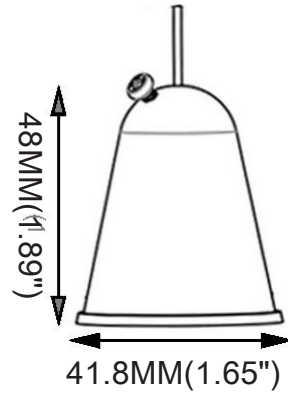


**5CCT Light Heads In Black ,White ,Grey**



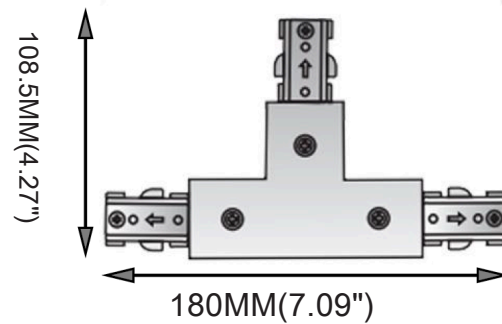
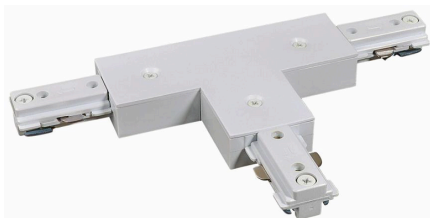
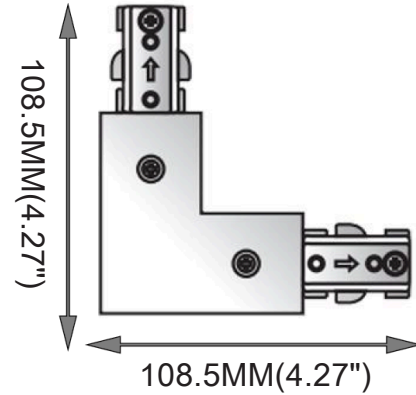
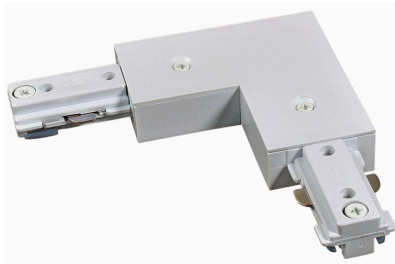
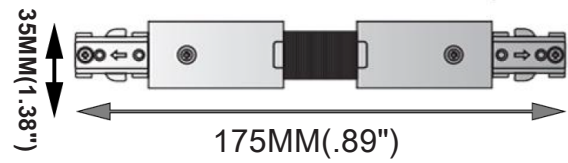
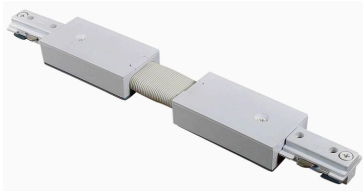
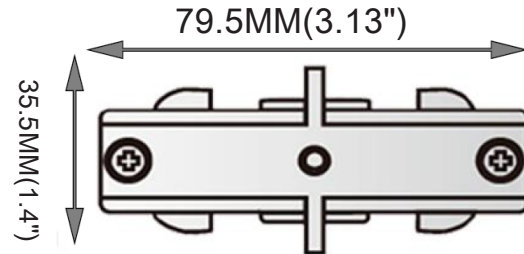


# Lumina Track Light





**Lumina Track Light**





**Lumina Track Light**

