



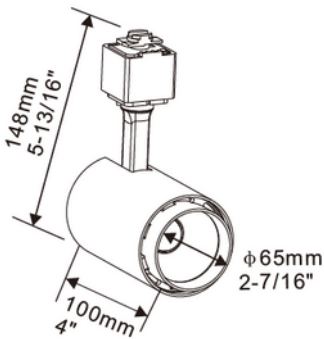
Simply Track

SPECIFICATION SHEET



Description:

Efficient and versatile, our LED Head Track Light offers precise illumination with adjustable heads. Featuring energy-saving LED technology and a sleek design, it's perfect for any space, from homes to offices



Model: Simply Track

Optical:

CCT:	3000K
Lumen per wattage:	80Lm/W
LED :	COB
CRI:	80Ra

Electrical:

Rated Power:	15W
Input voltage:	120V / 60HZ
Track:	2Wire 1 Circuit

Life:

Lifespan:	30,000hrs
Warranty:	2 Years

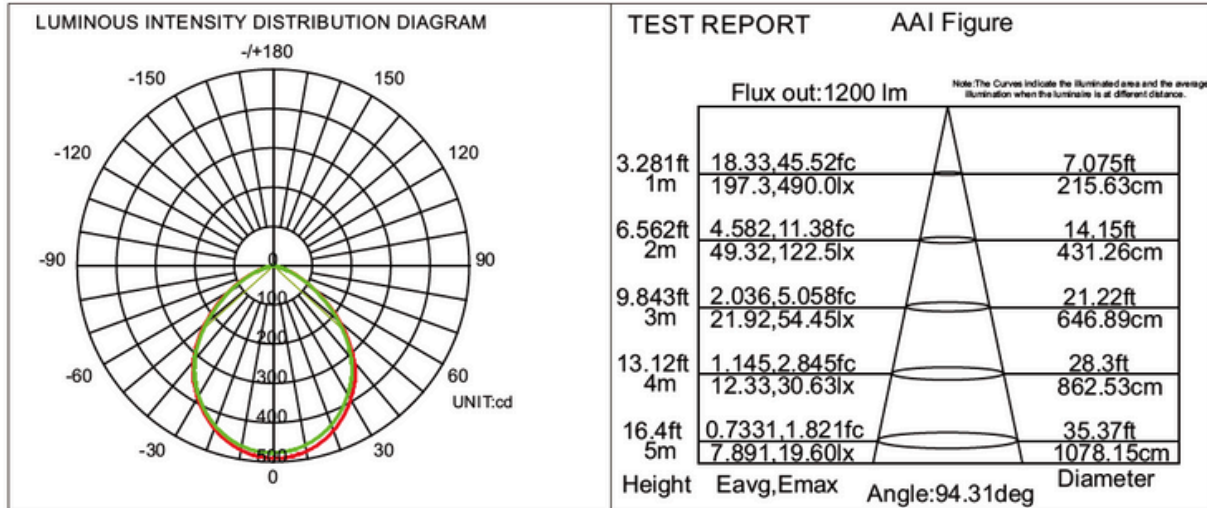
General:

Dimmable Solution:	Triac
Body:	White,Black
Certification:	cETLus



Simply Track

SPECIFICATION SHEET

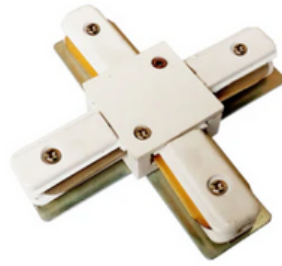




ACCESSORIES



T-CONNECTOR



CROSS-CONNECTOR



L-CONNECTOR



LIVE END CONNECTOR



I-CONNECTOR



LIVE END CONNECTOR
WITH J BOX



END CAP

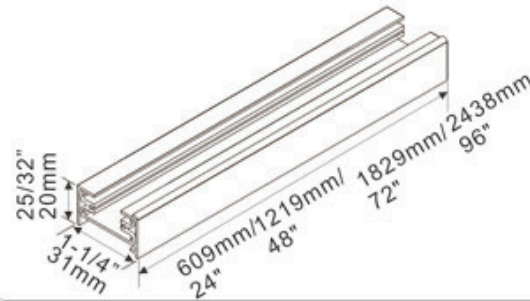


FLOATING CANOPY



2 Wire Line Voltage Track

Catalog Number: **TR-2'4'6'8'**



Description

Extruded 2 wire aluminum track with 20-amp rated flat, solid integral conductors. These halo tracks can be joined together using any of the track connectors. Available in 2, 4, 6, 8 and 12-ft. Available in two colours: Black & White

L Series: (TR)

1. Place the connector into track groove and make sure that the side with the locking clip is opposite the polarity groove on the track.
2. Push towards track and turn clockwise 90°.
3. To remove the fixture, pull the locking clip downwards (away from the track) and turn counter clockwise 90°.
4. Once assembly is complete, turn on power to confirm fixture is working properly.

Features

Extruded aluminum construction
 Low profile aesthetic design.
 Solid 12-gauge conductors.
 Polarity groove.
 Surface or stem mounted (mounting hardware supplied).
 20 Amp.

Electrical

0.030" diecast aluminum construction with 0.045" PVC insulators holding 12 gauge flat conductor wiring. Polarity groove is located on supply lighting units in a flexible ways.

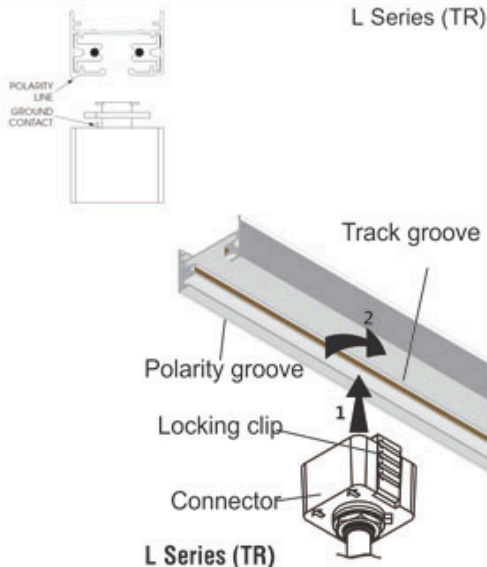
Compatibility

2 wire track system is compatible with all halo® Style Track, accessories and connectors.

1-circuit Track

Single circuit track is available for 120V APPLICATIONS. Single hot and neutral conductors are rated for 20 Amps per branch circuit. Copper electrical conductors are concealed in an insulating thermo plastic low profile track cross-section.

L Series (TR)



Line Voltage Track Fixtures Lighting Installation drawing

