



**SINGLE CUT LED SMD STRIP LIGHT**



The LED strip light utilizing SMD 2835 technology presents a versatile lighting solution with a unique advantage: the ability to cut the strip light after each LED. This innovative feature makes this product an ideal choice for any desired length, offering unparalleled flexibility in installation and customization.

One of the primary benefits of being able to cut the strip light after each LED is the avoidance of dark spots at the end or start of the line of light. By allowing precise customization to fit any space or application, users can ensure a seamless and continuous illumination without interruptions or inconsistencies. This capability eliminates the need to rely on predefined lengths, offering complete control over the lighting design and layout.

**Model: STRLS102428120203KWS**



**Optical:**  
 CCT: 2700/3000/3500/4000/5000/6000  
 Lumen Efficacy: 100lm/W  
 LED Type: SMD 2835 120LED/M  
 CRI: ≥80

**Electrical:**  
 Rated Power: 5W/M , 10W/M  
 Input voltage: 24 VDC  
 PCB Width: 10mm  
 Cutting length: 8.3mm 3/8"

**Life:**  
 Lumen maintenance: 50,000 Hours  
 Warranty: 1 Years

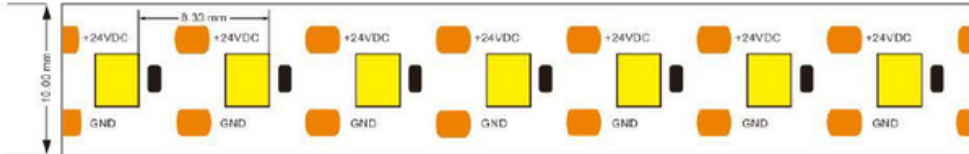


**General:**  
 Dimmable Solution: 5%-100% dimming capability  
 Available IP: 20 / 65 / 68  
 Operating temperature: -20°C~40°C(-2°F~105°F)  
 Certification: cULus

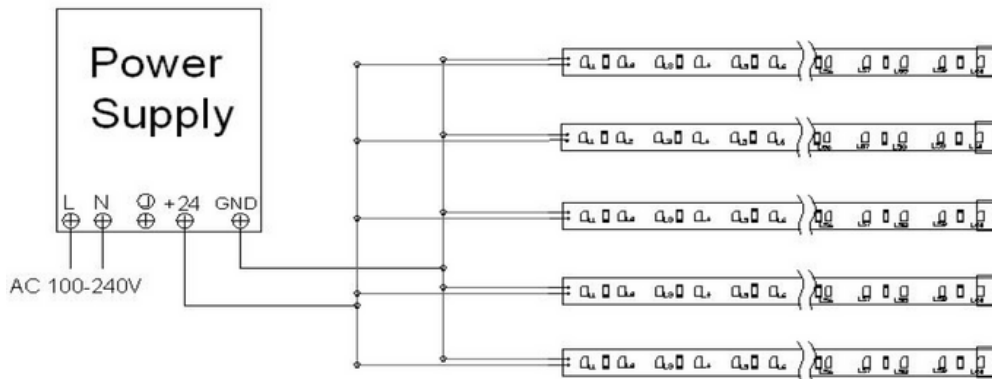


## SINGLE CUT LED SMD STRIP LIGHT

### DRAWING



### INSTALLATION



The max running length for each line is 3 meters. Please install the strips in parallel when length is more than 3 meters.

Usually most of the power supply has a efficiency between 80%-95%, so when choosing the power supply, the total watts of the strips should be smaller than 80% of the rate power of the led strips.

