



SLYN Linear Series



Description:

SLYN is a sleek architectural linear lighting system engineered to deliver high performance in a slim, modern profile. Engineered for modern commercial and residential spaces, SLYN combines a bold aesthetic with versatile functionality. Available in both direct and direct/indirect configurations, SLYN provides balanced illumination to enhance visual comfort and spatial depth. A wide selection of optical control options is offered to meet various application needs, including prismatic lenses, honeycomb louvers, and PMMA louvered lenses, all designed to effectively manage glare and achieve low UGR performance. For broader light distribution, a U-shape diffuser is available, delivering up to a 130° beam angle for smooth, uniform illumination. SLYN supports multiple installation methods, including surface (ceiling and wall), recessed, and pendant mounting, allowing seamless integration into diverse architectural designs. With a fully customizable approach, the SLYN series offers flexible configurations to meet specific project requirements. Delivering exactly what your design demands without limitation.



Model: SLYN Linear Series

Optical:

CCT: CCT Selectable
 Driver Efficacy: >90%
 CRI: >80/>90 optional

Electrical:

Input voltage: AC120-277V 50/60Hz
 Power factor >0.9

Life:

Lifespan 50,000 hrs L70 @ tc=55°C.
 Warranty: 3 Years

General:

Dimmable Solution: 0- 10V
 IP: IP20
 Installation: Suspended, Ceiling-mounted
 Finish options: Aluminum extrusion housing, painted finish with premium paint, Black, White, Silver and Customizable
 Operating temperature: 4°F(-20°C)~122°F(50°C).



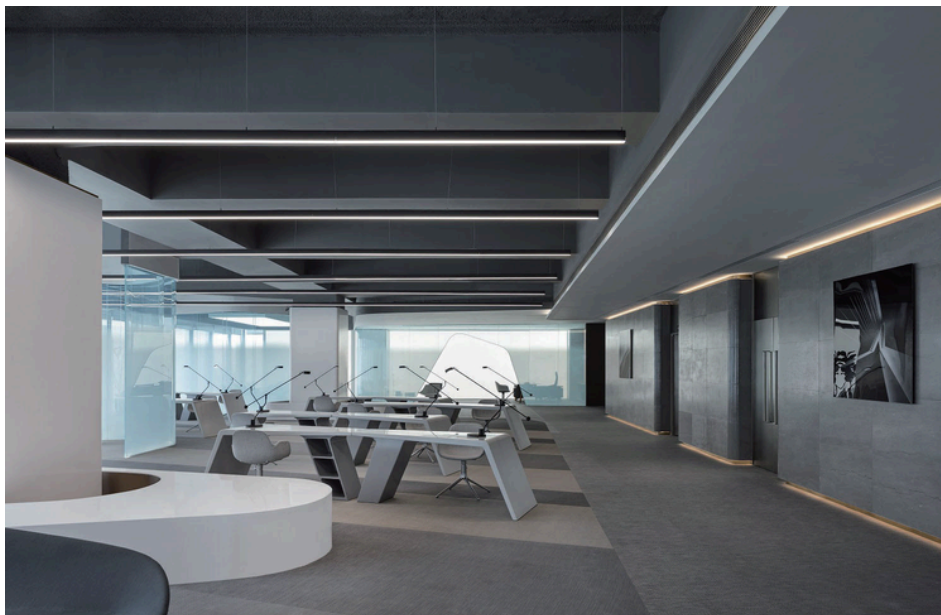
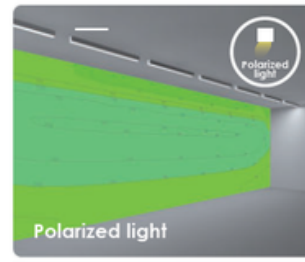
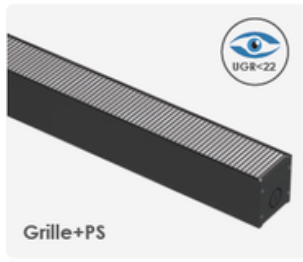
SLYN Linear Series



SLYN Standard



Size	L[mm(inch)]	W[mm(inch)]	H[mm(inch)]
4FT	1183[46.57"]	66[2.59"]	70[2.75"]
8FT	2363[93.03"]	66[2.59"]	70[2.75"]

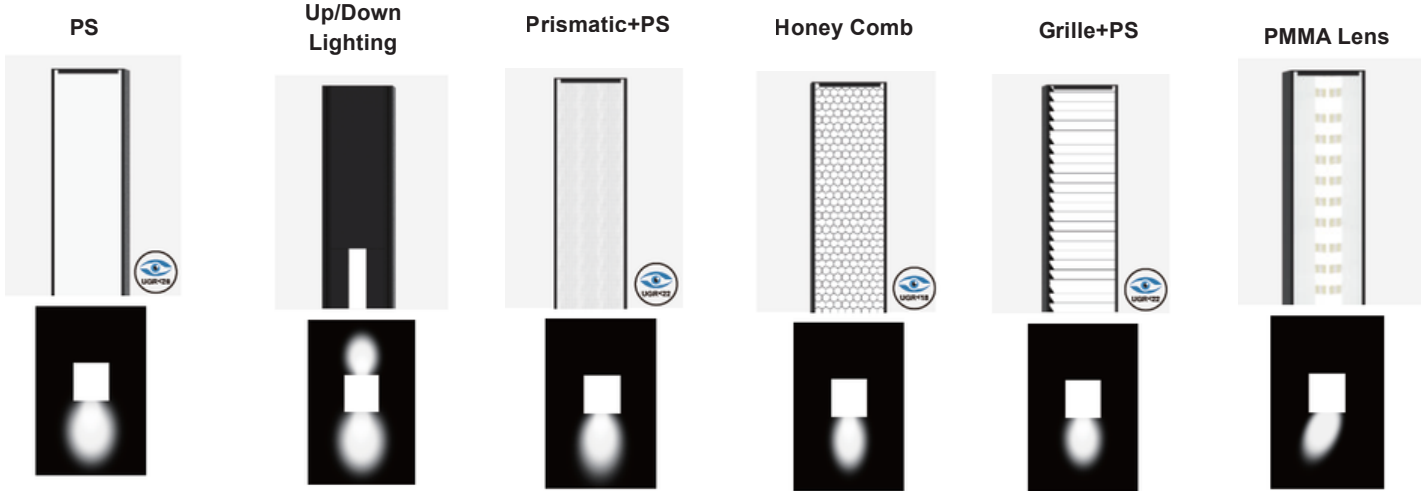




SLYN Linear Series



Light Distribution



Product Specifications

Model name	Size(LxWxH)	Input Voltage	Power	PF	Efficacy	Lumen	CRI	CCT selectable	Beam Angle
SLYN-S-40105	1183x66x70mm	AC120-277V	40W	>0.9	115lm/W	4600LM	>80	3000K-4000K -5000K	105°
SLYN-S-4090	1183x66x70mm	AC120-277V	40W	>0.9	115lm/W	4600LM	>80	3000K-4000K -5000K	90°
SLYN-S-4080	1183x66x70mm	AC120-277V	40W	>0.9	55lm/W	2200LM	>90	3000K-4000K -5000K	80°
SLYN_S-080100	1183x66x70mm	AC120-277V	40W	>0.9	55lm/W	2200LM	>90	3000K-4000K -5000K	80°x100°
SLYN-S-40904515	1183x66x70mm	AC120-277V	40W	>0.9	90lm/W	3600LM	>80	3000K-4000K -5000K	90°x45°x15°
SLYN-S-70RGB105	1183x66x70mm	AC120-277V	CW: 40W R/G/B 10W/10W /10W	>0.9	100lm/W	4000LM	>80	RGB+CW (3000K-5000K)	105°
SLYN-S-50105	1183x66x70mm	AC120-277V	50W	>0.9	115lm/W	6325LM	>80	3000K-4000K -5000K	105°
SLYN-S-60105	1183x66x70mm	AC120-277V	60W	>0.9	115lm/W	6900LM	>80	3000K-4000K -5000K	105°
SLYN-S-800105	2363x66x70mm	AC120-277V	80W	>0.9	115lm/W	9200LM	>80	3000K-4000K -5000K	105°

Due to continuous improvements, the information herein may be changed without notice

831 3rd St W, North Vancouver, BC V7P 3K7 Canada | P.: +1(604) 770-3315 | E: info@maxtarlighting.com



SLYN Linear Series



SLYN Slim 130

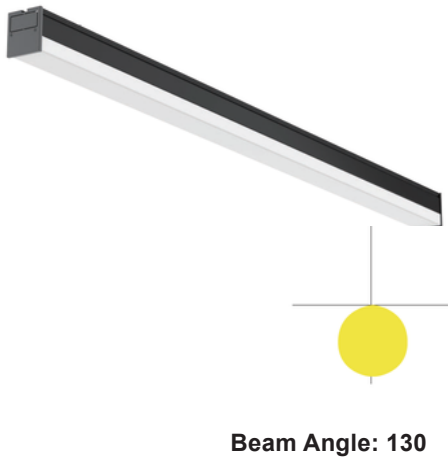
Product Dimension



Size	L[mm(inch)]	W[mm(inch)]	H[mm(inch)]
4FT	1183[46.57"]	55[2.16"]	63[2.48"]
5FT	1483[58.38"]	55[2.16"]	63[2.48"]

Product Specifications

Model name	Input Voltage	Power	PF	Efficacy	Lumen	CRI	CCT Selectable	Beam Angle
SLYN-130-40	AC120-277V	40W	>0.9	130lm/W	5200LM	>80	3000K-4000K -6000K	130°
SLYN-130-50	AC120-277V	50W	>0.9	130lm/W	6500LM	>80	3000K-4000K -6000K	130°



Beam Angle: 130





SLYN Linear Series

SLYN Slim Select

Product Dimension



Size	L[mm(inch)]	W[mm(inch)]	H[mm(inch)]
4FT	1183[46.57"]	55[2.16"]	63[2.48"]
5FT	1483[58.38"]	55[2.16"]	63[2.48"]

Product Specifications

Model name	Size (mm)	Input Voltage	Power Tunable	PF	Efficacy (lm/W)	Lumen (lm)	CRI (Ra)	CCT Tunable	Beam Angle
SLYN--SS-04-40	4ft	AC120-277V	40W-35W-30W	>0.9	110-130	400-5200	>80	3500K-4000K -5000K	80°/90°/110°
SLYN--SS-05-50	5ft	AC120-277V	50W-45W-40W	>0.9	110-130	5500-6500	>80	3500K-4000K -5000K	80°/90°/110°
SLYN--SS-06-50	6ft	AC120-277V	50W-45W-40W	>0.9	110-130	5500-6500	>80	3500K-4000K -5000K	80°/90°/110°
SLYN--SS-08-70	8ft	AC120-277V	70W-60W-50W	>0.9	110-130	7700-9100	>80	3500K-4000K -5000K	80°/90°/110°

Optics



Product Features

- Optics:** Diffuse PC, Louver, Micro-prism.
- Installation:** Suspended, Wall-mounted, Ceiling-mounted
- Dimmable:** 0-10V optional, DALI-2 DT8 optional
- Emergency:** 90min, LiFePO4, (Optional).
- Smart control:** Optional BLE 5.0 mesh, APP
- Sensor:** PIR, Daylight sensor optional

