



SMD 2835 Sauna Tape Light



Description :

A reliable and efficient lighting solution designed specifically for saunas and steam rooms. Built to withstand high heat and moisture, it delivers consistent illumination while enhancing comfort and ambiance. For optimal performance and improved heat dissipation, it is recommended to use with aluminum extrusion.

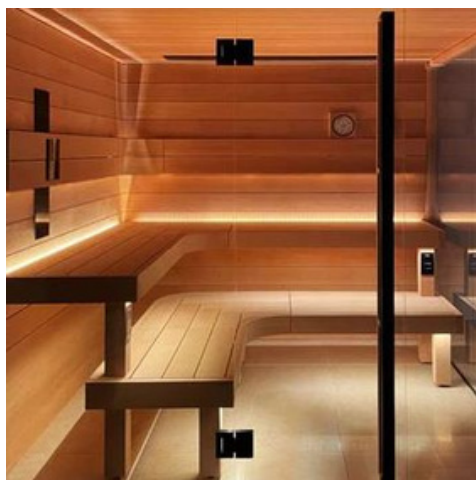


Model: STRLS102428120203KWS

Optical:	
CCT:	2700K/3000K/3500K/4000K/5000K/6000K
Lumen Efficacy:	130lm/W @3000K
LED Type:	SMD 2835 80LED/M
CRI:	≥80

Electrical:	
Rated Power:	4.8W/M (1.5W/ft)
Input voltage:	24 VDC
PCB Width:	12mm(0.5")
Cuting lenght:	100mm (4")

Life:	
Lifespan:	50,000 Hours
Warranty:	2 Years

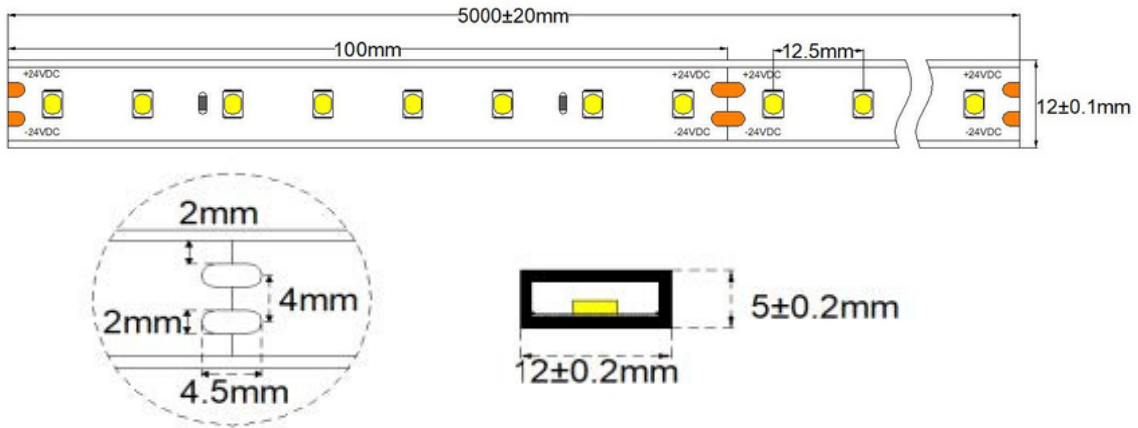


General:	
Dimmable Solution:	5%-100% dimming capability
Available IP:	IP68
Operating temperature:	-20°C~90°C(-2°F~194°F)

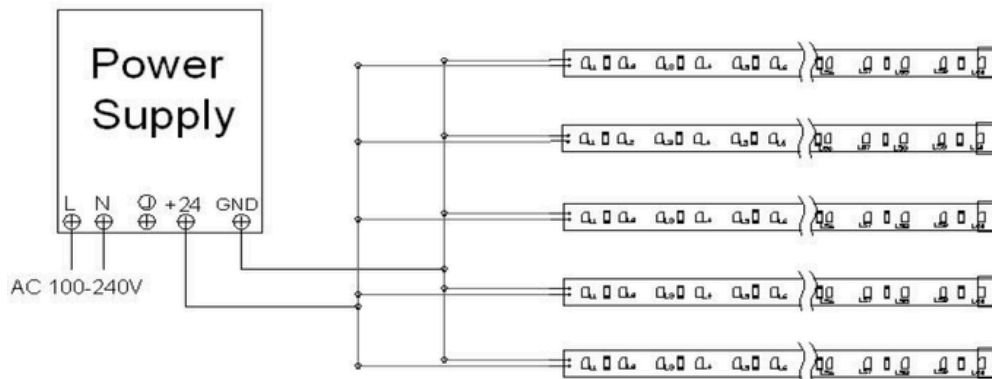


SMD 2835 Sauna Tape Light

DRAWING



INSTALLATION

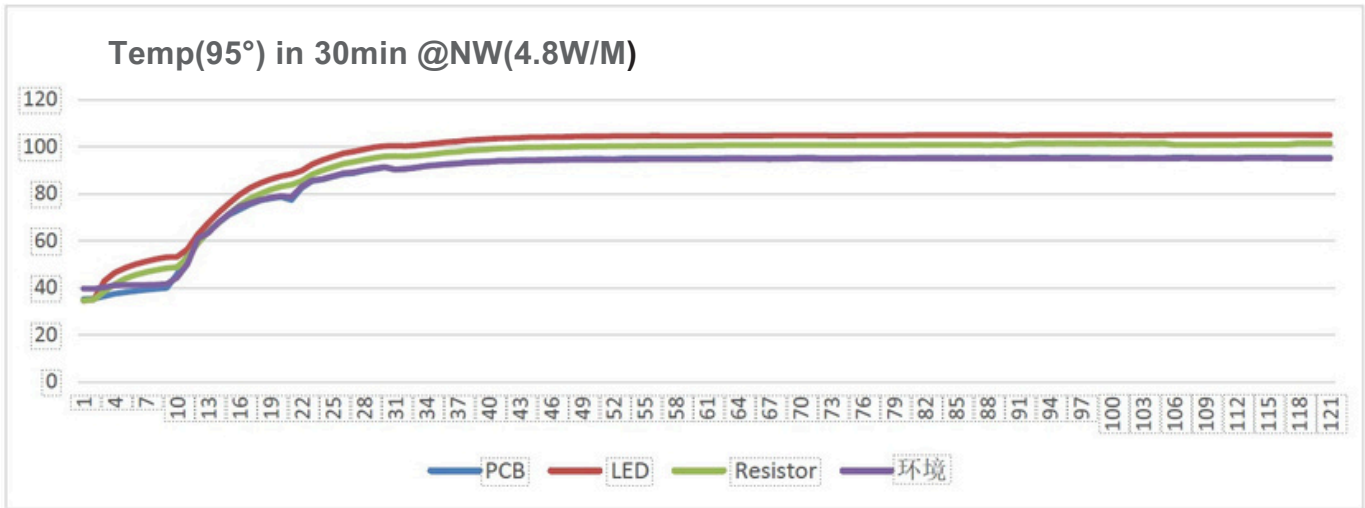


- Make sure of the total watts of LED Strip lights is less than 80% of the power supply's max output
- Match the polarities according to the mark ('+' and '-') in the PCB while connecting..



SMD 2835 Sauna Tape Light

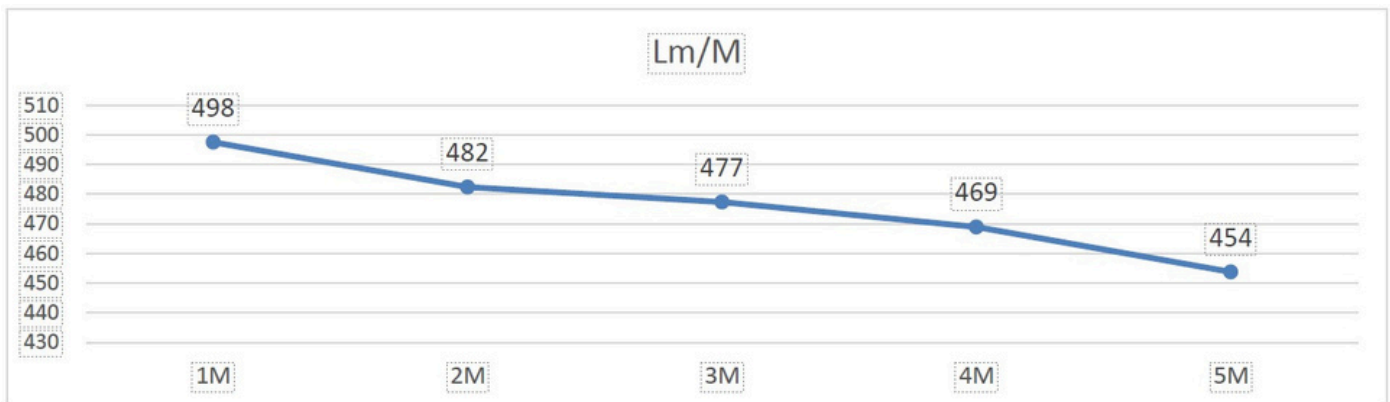
Tempreture Curve



The above curves indicate the temp. changing in LED,resistor & PCB within 120 minutes after powering on, under the ambient temperature of 95 °C.t

Brightness Consistency

The following charts shows the parameters on each meter based on 5M length.



The above curves indicate the temp. changing in LED,resistor & PCB within 120 minutes after powering on, under the ambient temperature of 95 °C.t