



VaporShield LED

Description:

The LED Vapor Proof Jelly Jar is a durable, energy-efficient lighting solution designed for industrial and outdoor environments. Featuring a vapor-proof housing that protects against dust, water, and chemicals, it delivers reliable, bright illumination with low power consumption. Impact-resistant and easy to install, this versatile fixture is ideal for harsh conditions, making it perfect for warehouses, parking garages, and other demanding applications.



Model: VTJ-30

Optical:

CCT: 3000K,3500K,4000K,5000K
 Lumen Efficacy: 120LM/W With Frosted lens ,150LM/W With Clear lens
 LED Type: COB and SMD 3030
 CRI: Ra>75



Electrical:

Rated Power: 30W/20W/15W/10W, Power selectable
 Input voltage: 100-277VAC
 THD: <20% 4KV Surge Protection
 Power factor: >0.95

Life:

Lumen maintenance: 50,000hrs L70
 Warranty: 5 Years

General:

Dimmable Solution: (0 -10V)
 IP: IP65
 Housing: 6063 Anodized Aluminum Housing
 Installation: Surface Mounted, Wall Mounted
 Application: Stairwell, Passageways, Parking Lot
 Certification: cETLus





VaporShield LED

Specification

Model	Power Selectable	Voltage	Single CCT	lens	Lumens
VTJ-F	10W 15W 20W 30W	120-277 VAC	3000K-3500K-4000K-5000K	Frosted	1200lm 1800lm 2400lm 3600lm
VTJ-C	10W 15W 20W 30W	120-277 VAC	3000K-3500K-4000K-5000K	Clear	1450lm 2175lm 2900lm 4350lm

Ordering Table :

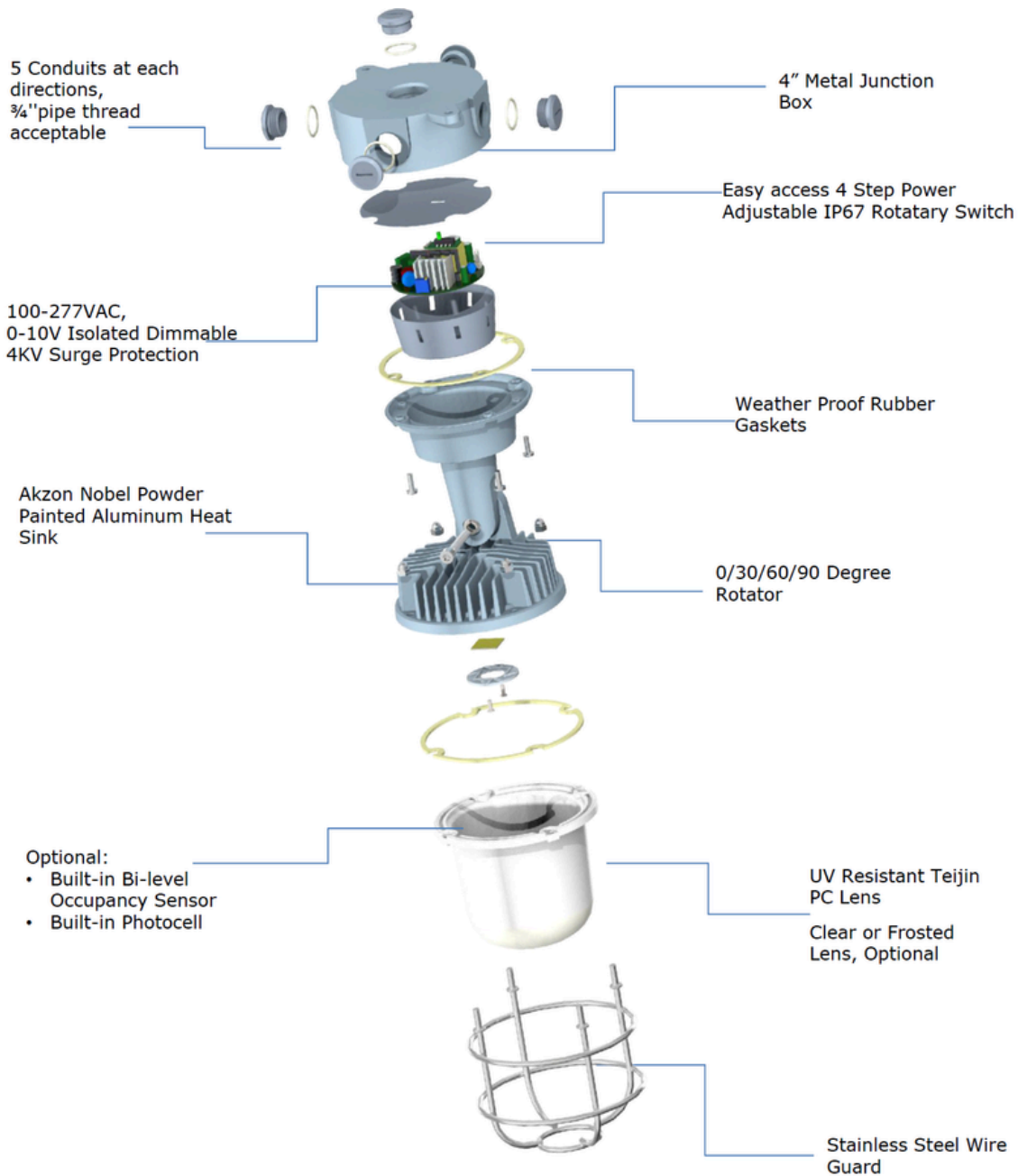
Example:VTJ-D-03-DS-W-F

Model	Dimming	LED	CCT	Options	Lens
VTJ	ON/OFF : None 0-10V: D	SMD:S COB:C	3000K:03 3500K:35 4000K:40 5000K:50	Low Bay Motion Sensor :LS High Bay Motion sensor :HS Day light Bi-level motion sensor :DS Photocell : P Wire Guards :W	Frosted :F Clear: C



VaporShield LED

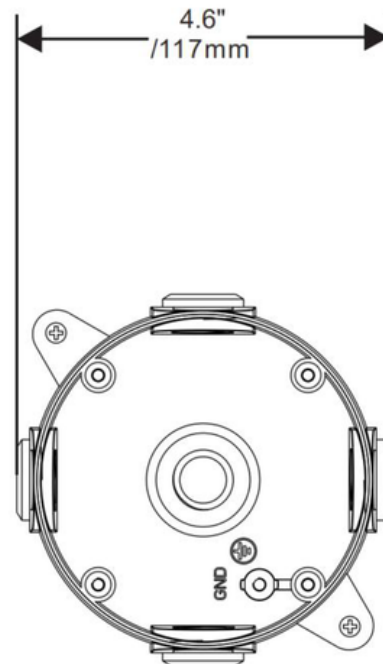
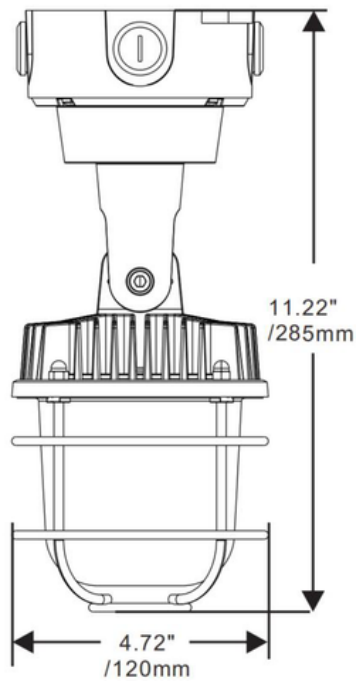
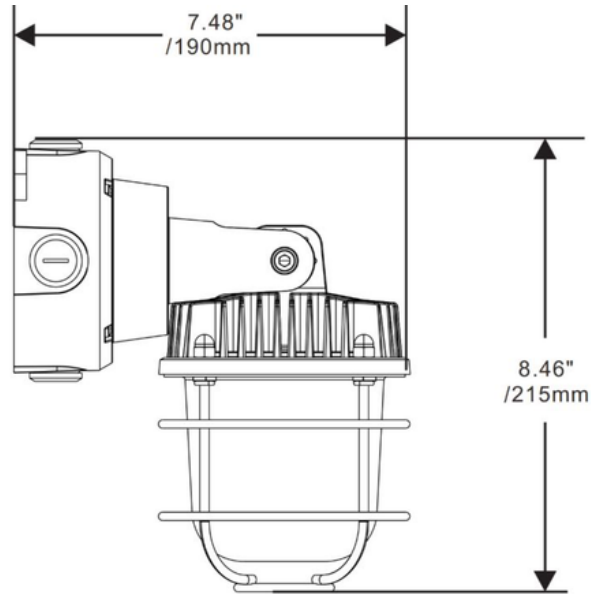
Fixture details





VaporShield LED

DIMENSIONS:



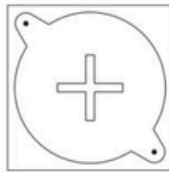


VaporShield LED

INSTALLATION

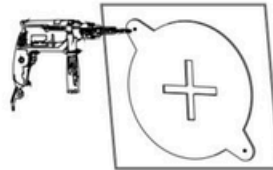
STEP:1

Locate paper sheet,
position the installation holes



STEP:2

Drill the installation holes



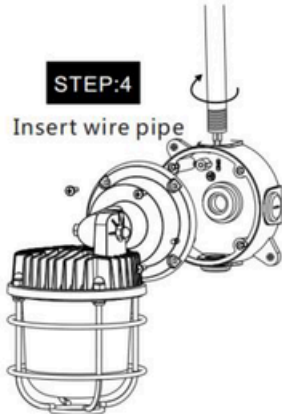
STEP:3

Install the power box



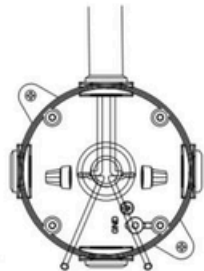
STEP:4

Insert wire pipe



STEP:5

Connect the cable



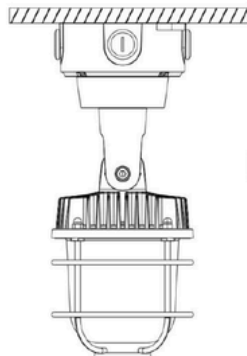
STEP:6

Tighten screws

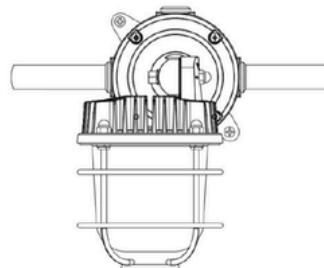


STEP:7

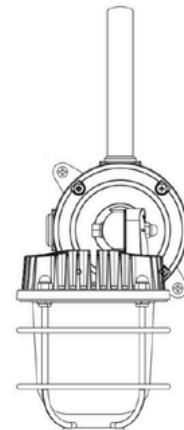
Installation complete



Surface Mounted



Wall Mounted, Pipe in, Pipe out



Wall Mounted, Pipe in



VaporShield LED



APPLICATION

