



# Bright Core IC



**Description:**

Introducing our Modular Adjustable Downlight, available in 3" and 4" sizes, perfect for both new construction and remodel projects. This high-efficiency lighting solution delivers up to 2000 lumens with the 4" model at 20W, providing bright, energy-efficient illumination. With a variety of color combination options, you can easily customize the look to match any space. Featuring IC rating and damp-proof certification, it's ideal for use in insulated ceilings and moisture-prone areas. The adjustable design allows for precision lighting control, making it a versatile choice for residential or commercial applications.




---

**Model: DNLWP**

---

**Optical:**

CCT:	27K,3K,35K,4K,5K,6K, 3CCT,5CCT
Lumen out put:	Up to1350LM -2125LM
Efficacy:	85lm/w -90lm/w
CRI:	>90Ra

---

**Electrical:**

Rated Power:	10W,12W,15W,18W,20W,25W
Input voltage:	120Vac/120-277Vac/100-347Vac,50/60Hz
Beam angle:	10°,15°, 24°, 38°, 55°

---

**Life:**

Lumen maintenance:	50,000hurs
Warranty:	2 Years

---

**General:**

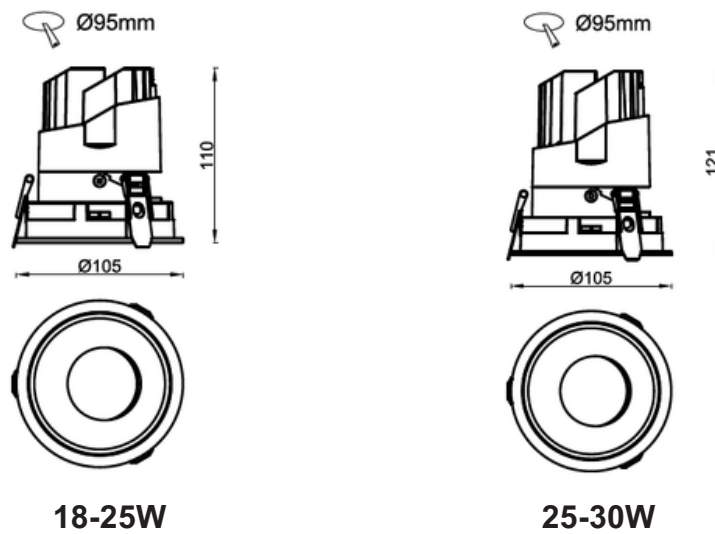
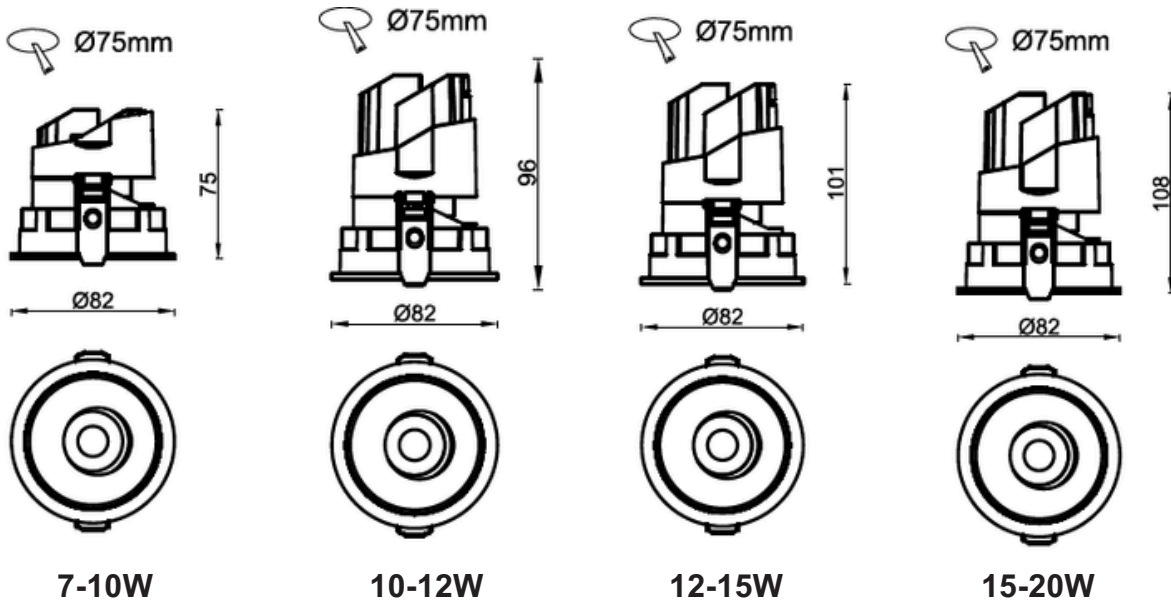
Dimmable Solution:	TRIAC//0-10V/Dali
IP:	Damp location
Application:	Below ceiling access
Finish color Availability:	White /Black /Silver
Material:	Die Casting ADC12
Certification:	cETLus





## Bright Core IC

### DIMENSIONS



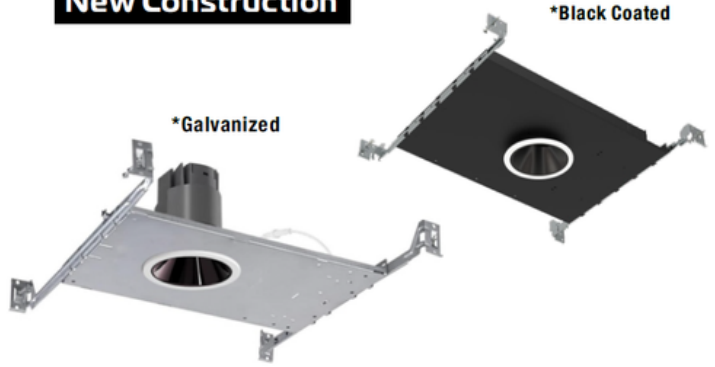


## Bright Core IC

### Remodel



### New Construction



### TRIM COLOR



Matt Black Matt Silver Matt White

### REFLECTORE OPTIONNS

- Fixed or Adjustable
- Wet location
- Standard or Trimless
- Pinhole
- Wall Wash

### REFLECTORE COLORS



Matt Black



Matt Silver



Matt White



Specular



Chrome Black



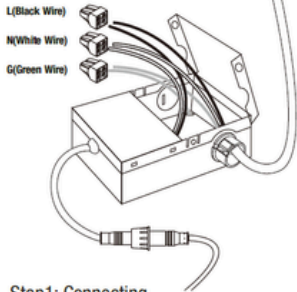
Chrome Gold



## Bright Core IC

### INSTALLATION

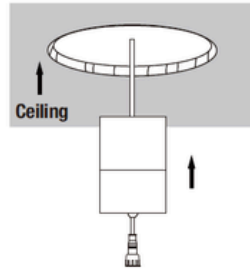
Fig.1



Step1: Connecting

Using wire nuts, connect green ground wire of cable to green wire on box. Connect white wire of cable to white of box. Connect black wire of cable to black wire of box.

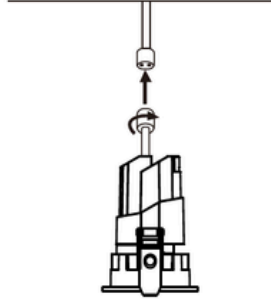
Fig.2



Step2: Inserting

Insert hardwire box through the mounting hole.

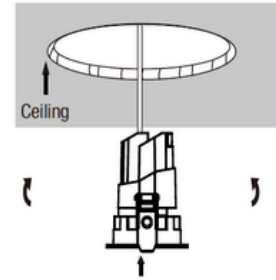
Fig.3



Step3: Twisting

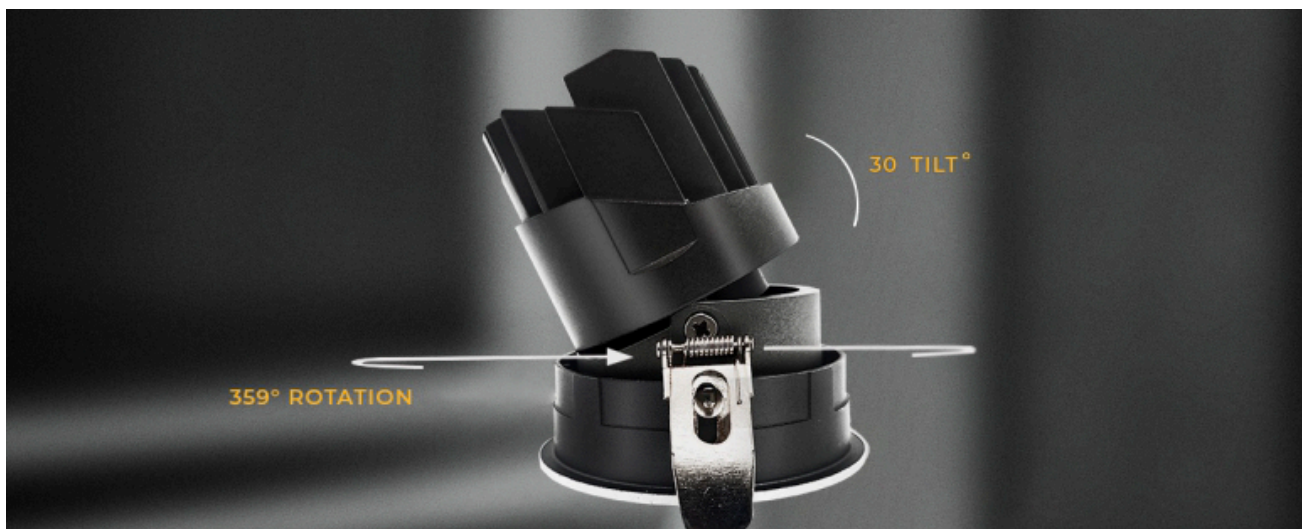
Connect the fixture to the hardwire box by inserting and twisting the male/female connectors.

Fig.4



Step4: Pushing

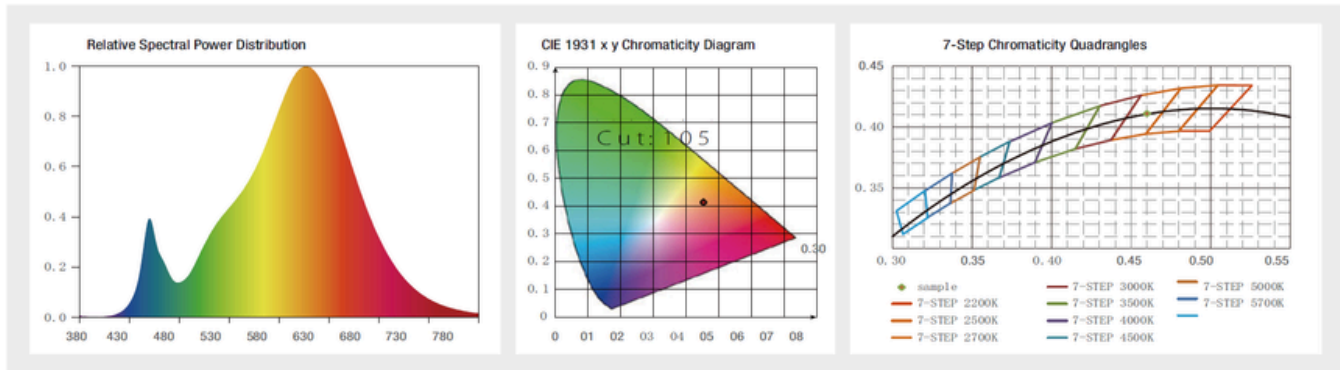
Push spring loaded clips on the fixture upwards and insert fixture base into the mounting hole. Release the clips and fixture will be pulled flush to the ceiling.





**Bright Core IC**

**PHOTOMETRY**



**ORDERING TABLE**

**Example**

**DNLWP-NC-10-850-SV-30K-WHT**

Series	Installation Type	Wattage	Efficacy	Driver	CCT	CRI	Reflector
DNLWP	NC New Construction RM Remodel	10 (10W)	850lm	SV 120VAC Phase DIM UNV 120-277 0-10V Dim DALI 120-277 DALI DIM	27 2700K	90	WHT White SLV Silver ALF Aluminum Ref BLK Black Baffled
		12 (12W)	1020lm		30 3000K		
		15 (15W)	1275lm		35 4000K		
		18 (18W)	1530lm		40 5000K		
		20 (20W)	1700lm		50 5000K		
		25 (25W)	2125lm		60 6000K		