



**LED Flood Light**



**Description:**

Uniquely compact design with six sizes ranging from 15W to 300W, providing an extensive range of choices and unmatched flexibility. Aura stands as a cost-effective solution, perfect for parking lots, square, advertising board, exhibition center and facades appearance.



**Model:**

**Optical:**

CCT:	3CCT 3000K,4000K,5000K
Lumen out put:	2625 TO 52500 lumens
Lumen Efficacy:	Up to 175Lm / W
LED Type:	SMD
CRI:	80

**Electrical:**

Rated Power:	15W to 300W
Input voltage:	120-277VAC, 120-347VAC, 277-480VAC
Beam angle:	7H X 7V
Power factor:	>0.9

**Life:**

Lumen maintenance:	50,000hrs
Warranty:	3 Years

**General:**

Dimmable Solution:	(0 -10V)
Control:	On / Off Switch / Photocell
IK:	IK08
IP:	IP66
Operating temperature:	-30°C to + 50°C
Finish color Availability:	Black powder coating
Certification:	cETLus





**LED Flood Light**

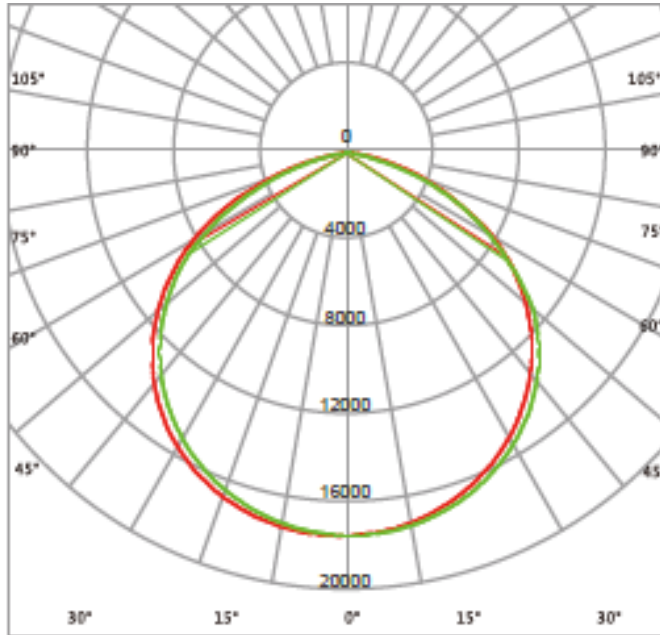
**Performance Summary**

Model No	Size(mm)	Watt(W)	CRI	LPW@4K Ra80	Lumens(lm)	Voltage(Vac)	Beam Angle
FB64-30WS	143x159x55	30/20/15 (Selectable)	80	169	Up to 5070	120-277	7Hx7V
FB64-60WS	190x180x60	60/50/40 (Selectable)	80	175	Up to 10500	120-277	7Hx7V
FB64-100WS	251x264x67	100/80/60 (Selectable)	80	172	Up to 17200	120-277 120-347 277-480	7Hx7V
FB64-150WS	260x284x67	150/120/90 (Selectable)	80	167	Up to 25050	120-277 120-347 277-480	7Hx7V
FB64-200WS	301x299x72	200/160/120 (Selectable)	80	173	Up to 34600	120-277 120-347 277-480	7Hx7V
FB64-300WS	361x335x77	300/240/180 (Selectable)	80	172	Up to 51600	120-277 120-347 277-480	7Hx7V



**LED Flood Light**

**PHOTOMETRY**



**7Hx7V**

**Mounting Options**



**Knuckle mounting**  
(30W / 60W)



**Yoke mounting**  
(30W / 60W / 100W 150W / 200W / 300W)



**Slipfitter mounting**  
(100W/ 150W / 20W / 300W)



**LED Flood Light**

**Accessories**



NEMA socket  
Code: NS-A00-02(for 3pin)



Photocell  
Code: PS-A00-01



Shorting cap  
Code: NS-A00-01



Slipfitter mounting  
For 100W/150W/200W/300W  
Code: SP-F45-01



Slipfitter mounting  
For 100W/150W/200W/300W  
Code: SP-F45-02



Yoke Mounting  
For 100W/150W/200W/300W  
Code: BC-F64-03

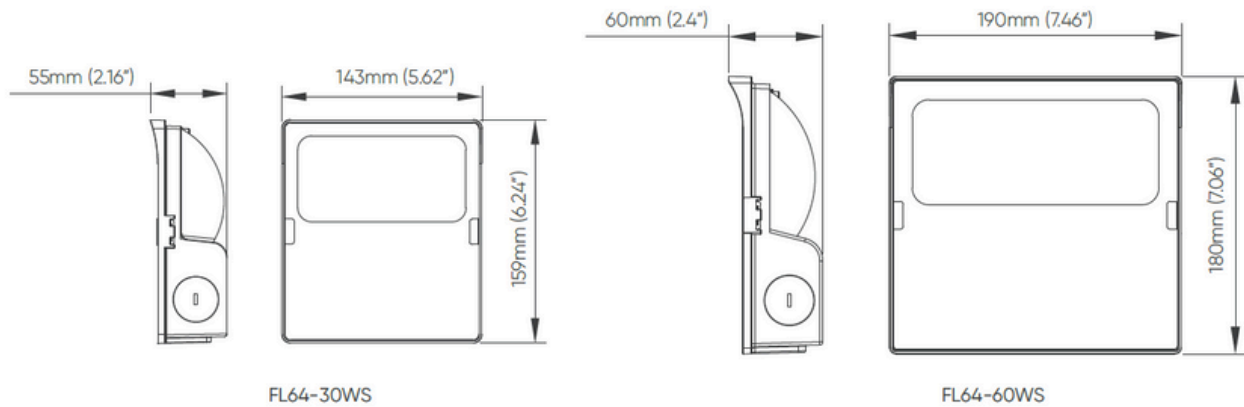


Yoke Mounting  
For 30W/60W  
Code: BC-F64-02



Knuckle mounting  
For 30W/60W  
Code:BC-F64-01

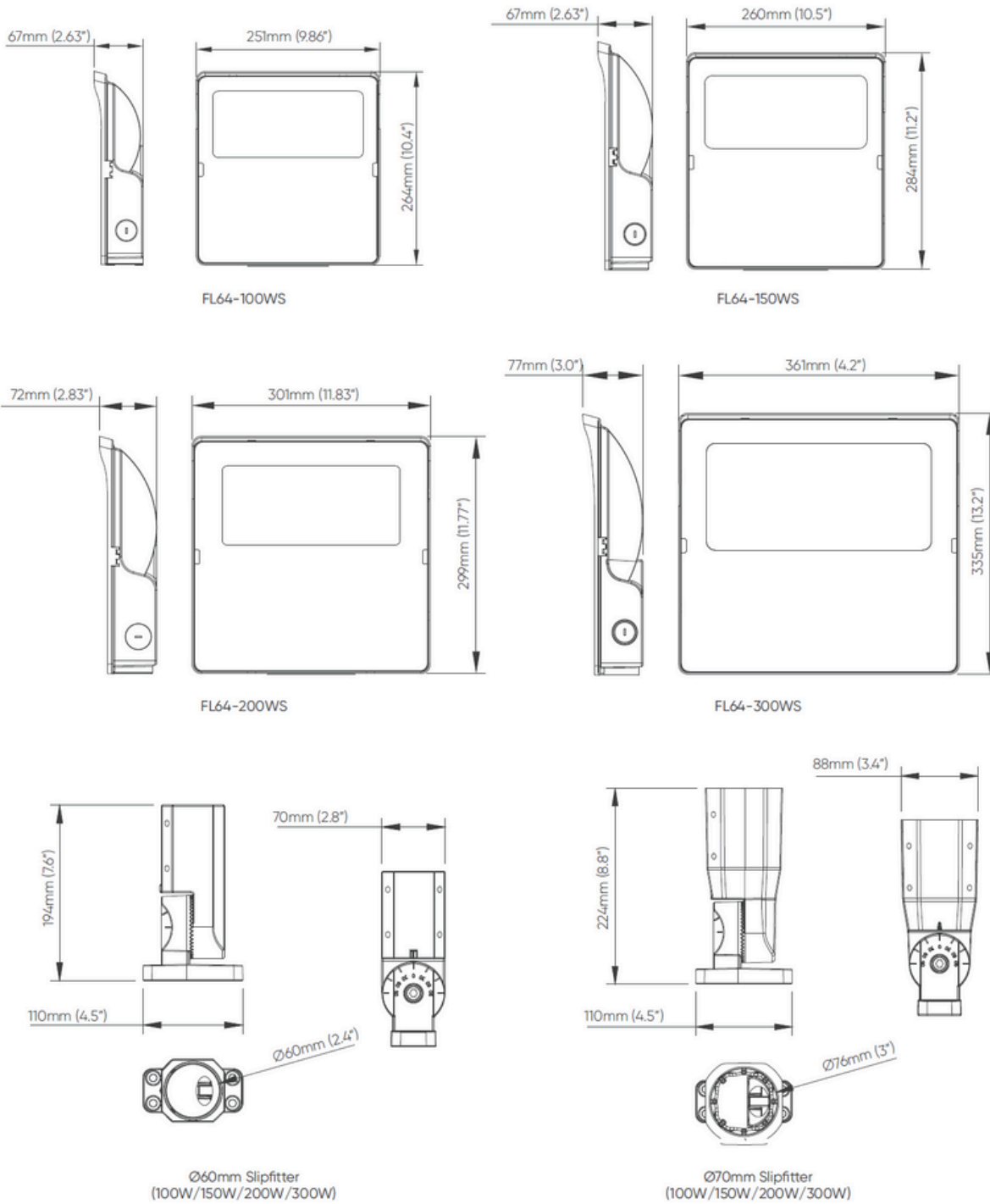
**DIMENSIONS**





LED Flood Light

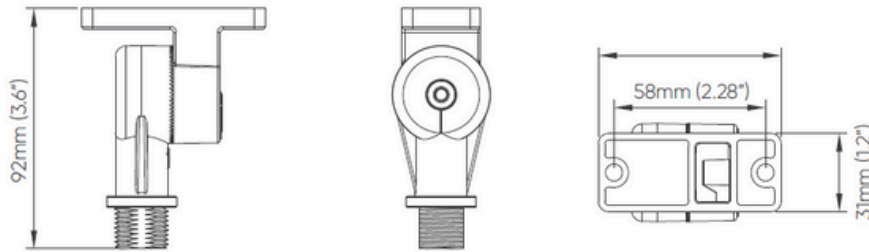
**DIMENSIONS:**



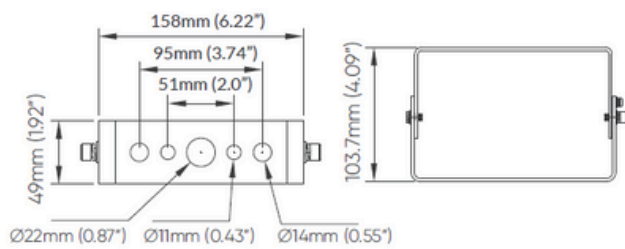


LED Flood Light

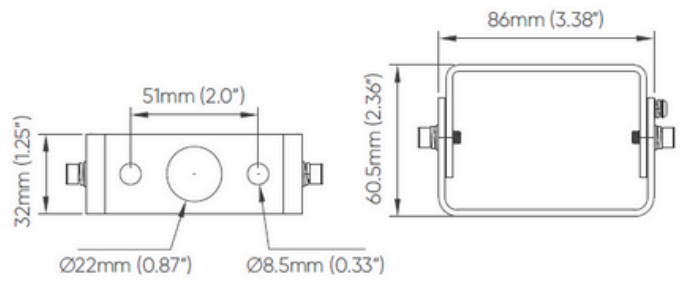
**DIMENSIONS:**



Knuckle  
(30W/60W)



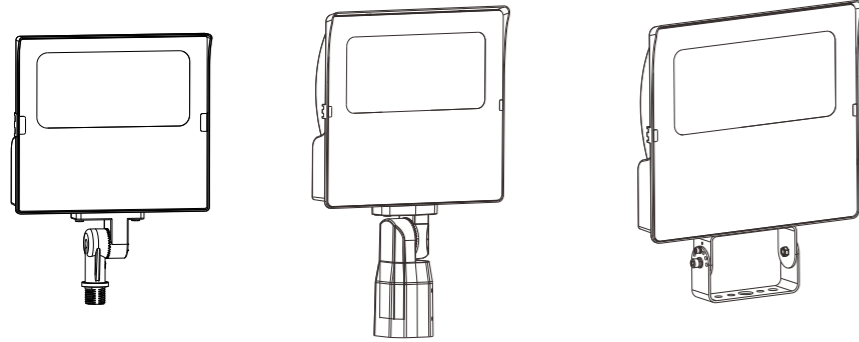
Yoke  
(100W/150W/200W/300W)



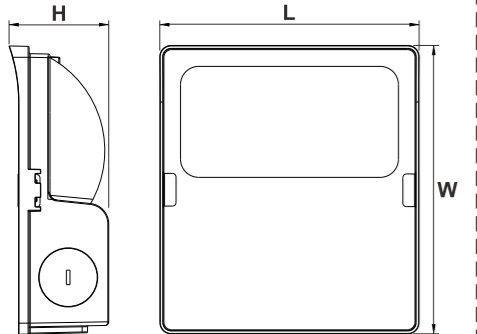
Yoke  
(30W/60W)

# LED Flood Light

## Installation Instructions



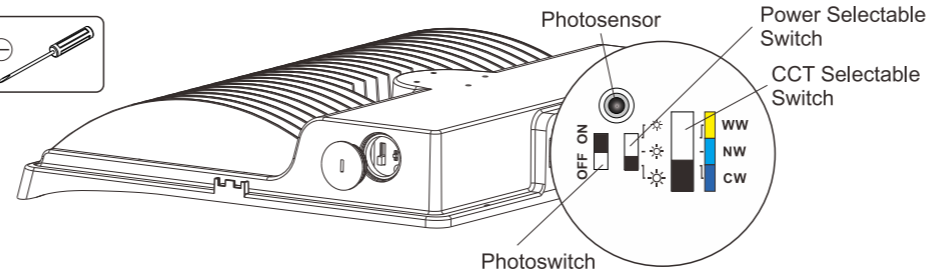
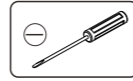
### Physical Dimensions(Unit: mm/inch)



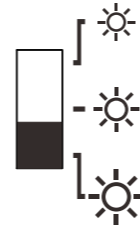
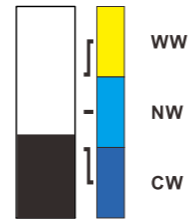
	L	W	H
30W	143mm(5.63")	159mm(6.24")	55mm(2.16")
60W	190mm(7.48")	180mm(7.07")	60mm(2.4")
100W	251mm(9.86")	264mm(10.39")	67mm(2.64")
150W	260mm(10.24")	284mm(11.18")	67mm(2.64")
200W	301mm(11.83")	299mm(11.77")	72mm(2.84")
300W	361mm(14.19")	335mm(13.19")	77mm(3.03")

Product Specifications	30W	60W	100W	150W	200W	300W
Input Voltage	120-277Vac		120-277Vac / 120-347Vac / 277-480Vac (Subject to the input voltage on nameplate)			
Power Frequency	50/60 Hz					
Outlook Dimensions (Lamp)	143x159x55mm (5.63"x6.24"x2.17")	190x180x60mm (7.48"x7.07"x2.4")	251x264x67mm (9.86"x10.39"x2.64")	260x284x67mm (10.24"x11.18"x2.64")	301x299x72mm (11.83"x11.77"x2.84")	361x335x77mm (14.19"x13.19"x3.03")
Luminaire Net Weight (±6%)	1.11kg(2.45Lbs)	1.56kg(3.44Lbs)	3.09kg(6.81Lbs)	3.68kg(8.11Lbs)	4.05kg(8.93Lbs)	5.25g(11.57Lbs)
Projected Area	0.03m²(0.29ft²)	0.04m²(0.46ft²)	0.08m²(0.86ft²)	0.09m²(0.95ft²)	0.11m²(1.16ft²)	0.15m²(1.56ft²)
Working Temperature	-40°C to +50°C(-40°F to +122°F)					
Storing Temperature	-40°C to +70°C(-40°F to +158°F)					

### Regulating Switch



#### CCT Selectable

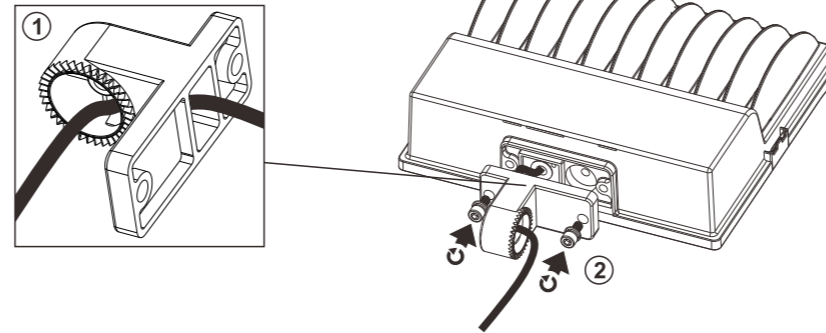


#### Power Selectable

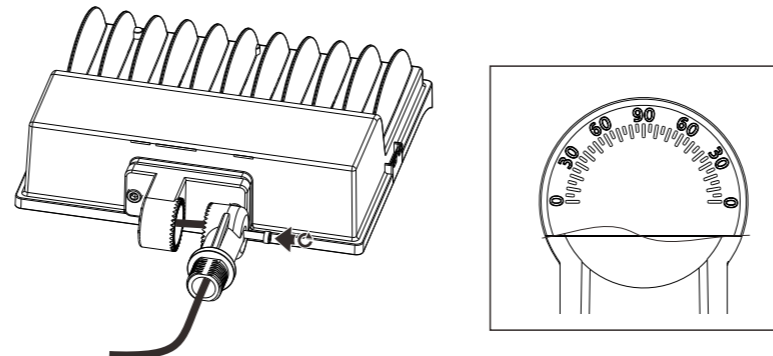
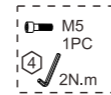
Power	☀	☀	☀
30W	30W	20W	15W
60W	60W	50W	40W
100W	100W	80W	60W
150W	150W	120W	90W
200W	200W	160W	120W
300W	300W	240W	180W

### Knuckle Mount

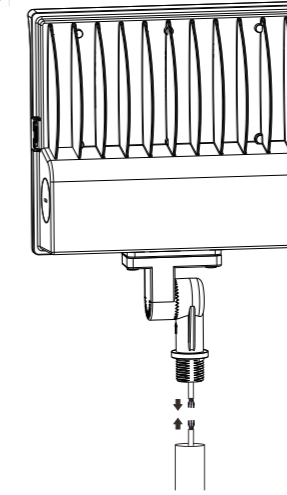
1. ✂



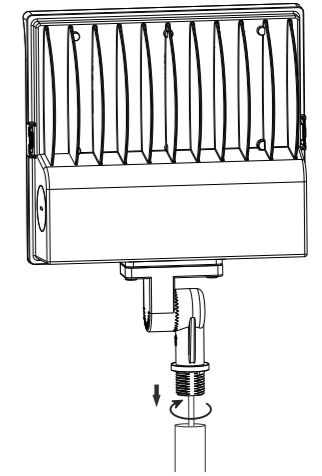
2. ✂



3. ✂

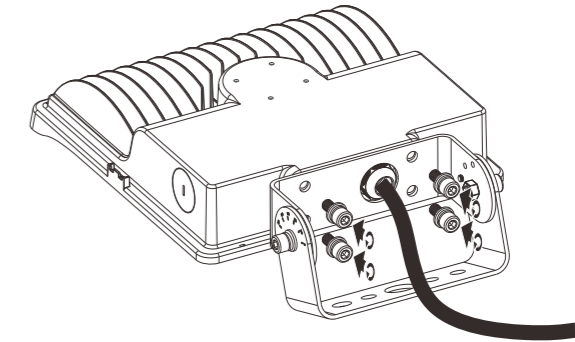


4. ✂

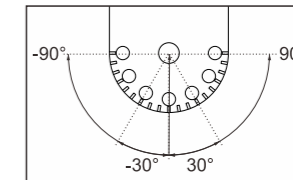
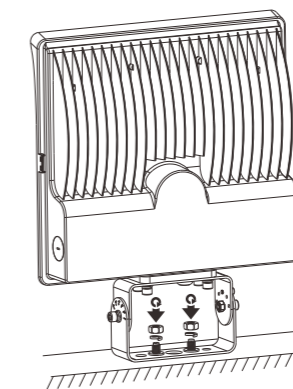


### Yoke Mount

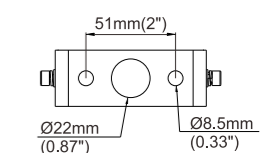
1. ✂



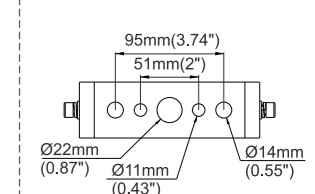
2. ✂



#### Yoke (30W/60W)

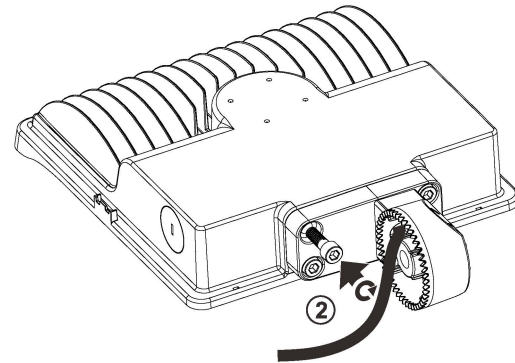
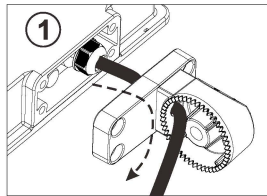


#### Yoke (100W/150W/200W/300W)



## Slipfitter Mount

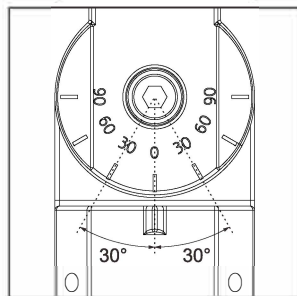
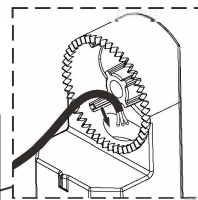
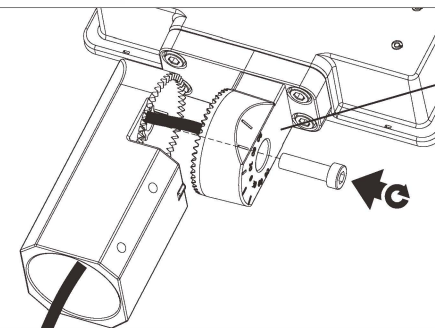
1. ✖



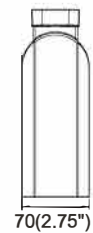
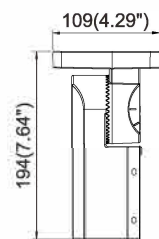
M8x40  
4pcs  
8N.m

2. ✖

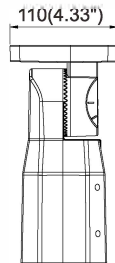
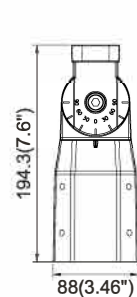
M12  
1pc  
17N.m



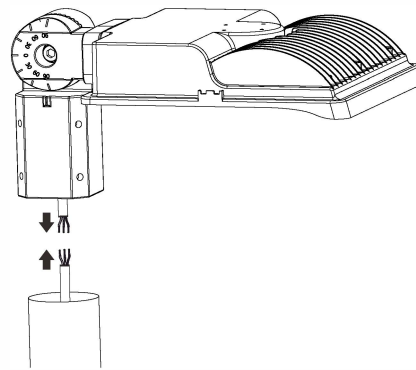
### Ø60mm Slipfitter



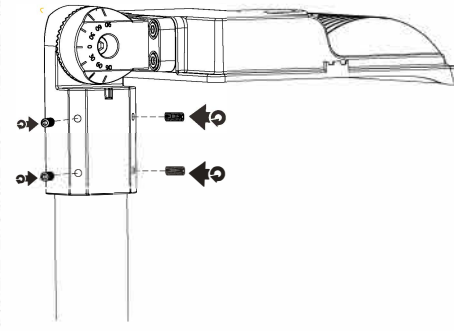
### Ø76mm Slipfitter



3. ✖



4. ✖



M8x16  
4PCS  
8N.m

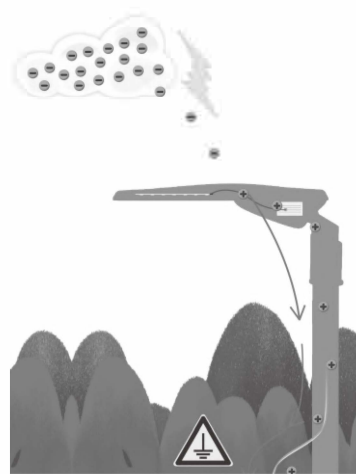
## Precautions for Outdoor Lighting

Lightning is a common natural phenomenon. When the accumulation of electric charge in the thundercloud to a certain degree, air breakdown will occur to cause electrostatic discharge between the clouds, or between the cloud and the earth. Normally there are direct lightning and induction lightning, most LED luminaires damage caused by induction lightning, such as electrostatic induction or magnetic field induction.

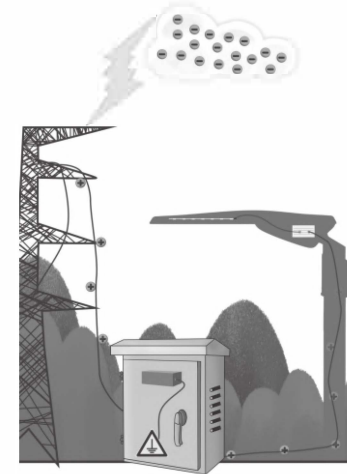
Below pretreatment can reduce lightning hazard, and extend luminaire lifetime.

1. LED luminaire should be effectively grounded

2. Install surge protector in power distribution box



With effective grounding, the electric charge can be introduced to ground quickly



The SPD can absorb most surge energy before luminaire

## AC cords

L	brown	black
N	blue	white
⊕	yellow/green	green

## DIM cords

Note: color for dim cords subject to the cable label on luminaire



Warning! Do not wire dim cord to high voltage, or dim function will fail.

## Reminder

We appreciate your purchase!

Please read the entire instruction manual before installation and keep it for future reference.

1. Please do not modify or dismantle the luminaire or replace accessories without confirming with the supplier first.
2. Please authorize only qualified personnel to install the lamp and ensure they follow the instruction manual. Any improper installation might cause falling, electric shock, fire, or other injury, damage or hazard.
3. Please disconnect power before installation or any maintenance of the lamp. Do not touch the power supply when the lamp is operating.
4. If the luminaire begins to smoke or emit odors, please disconnect power since fire or electric shock may occur. And ask qualified person to inspect and maintain the luminaire.
5. If the external flexible cable or cord of this luminaire is damaged, it shall be exclusively replaced by the manufacturer or his service agent or a similar qualified person in order to avoid a hazard.
6. The light source contained in this luminaire shall only be replaced by the manufacturer or his service agent or a similar qualified person.
7. We suggest you adding a separate surge protection device in distribution box to extend luminaire lifespan.

## Applications

1. The product is designed for tennis court, recreational sports, parking lots, billboard lighting, building facades and similar applications. For other special applications, please consult your salesperson to confirm firstly.
2. The suggested mounting height of the luminaire is 2.24 ~ 2.65m.
3. If you want add sensor on the luminaire, please mount samples in your project before mounting batch volume directly. Here are some tips to choose the right sensor: microwave sensor should keep away from large areas of metal and glass reflectors (separation distance at least 1m) to avoid luminaire abnormal working. PIR sensor should keep away from high temperature environments to avoid luminaire no response, please contact your salesperson for detailed suggestion for certain project.