



RECESSED LED STAIR LIGHT & WALL LIGHT



Description:

The concrete pour step/wall light offers a sleek and contemporary lighting solution for concrete structures, retaining walls, steps, and stairs. With its low trim profile, it blends seamlessly with the surrounding surfaces. This fixture is highly popular due to its decent power and lumens output. Its easy installation and low maintenance make it a practical choice. The concrete pour step/wall light enhances the ambiance and safety of outdoor spaces effortlessly, adding a stylish touch to any environment.

Model: SPL540524003KDGKP

Optical:

CCT: 3000
 Light Source: 54 X SMD5630
 Luminance: CW=47 WW=44
 CRI: >80



Electrical:

Rated Power: 4.8W
 Input voltage: 24V DC
 LED Driver: Constant Voltage Input, Constant Current Output

Life:

Lumen maintenance: 50,000 Hrs
 Warranty: 2 Years

General:

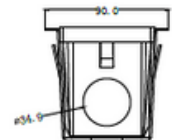
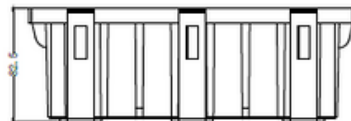
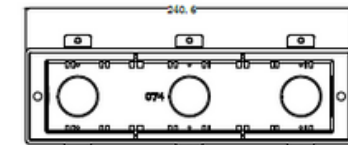
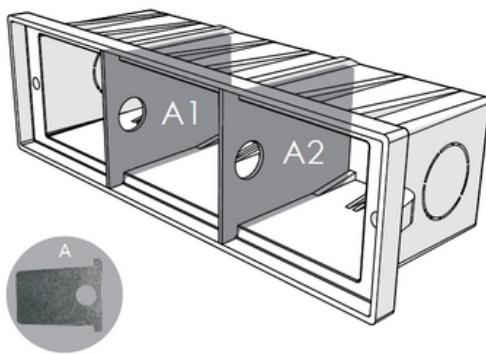
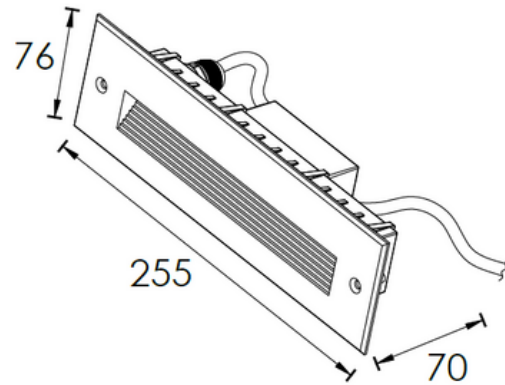
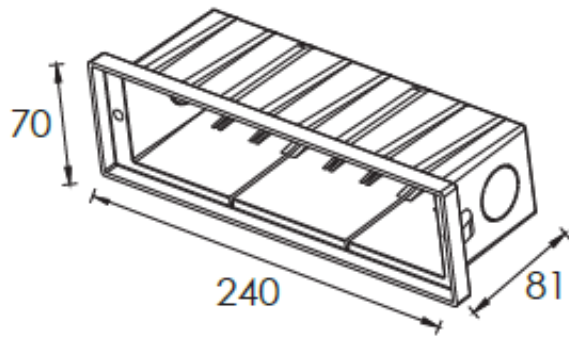
Dimmable Support: Triac PWM 1-10V Dali
 IP: 65
 IK: 09
 Operating temperature: -20°C~40°C
 Finish color Availability: Die-casting grey powder coated aluminum
 Certification: cETLus





RECESSED LED STAIR LIGHT & WALL LIGHT

PRODUCT SIZE





RECESSED LED STAIR LIGHT & WALL LIGHT



.The above picture-the support plate "A" and "B" are used for preventing deformation of the sleeve during the construction instalation process.

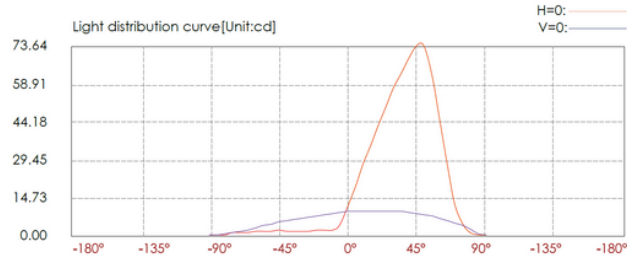
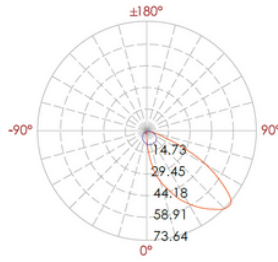
Please remove the supporting plate "A" and "B" from the mountig sleeve before the lamp installation





RECESSED LED STAIR LIGHT & WALL LIGHT

PHOTOMETRIC



Lux distance cure

Center beam LUX	Illuminance at a distance	
	Beam width V	Beam width H
2m	3.28 LUX	4.30m 1.70m
4m	0.82 LUX	8.60m 3.40m
6m	0.36 LUX	12.9m 5.10m
8m	0.20 LUX	17.2m 6.90m
10m	0.13 LUX	21.4m 8.60m
12m	0.09 LUX	25.7m 10.3m

Ver.Spread:94.1 Horiz.Spread:46.5

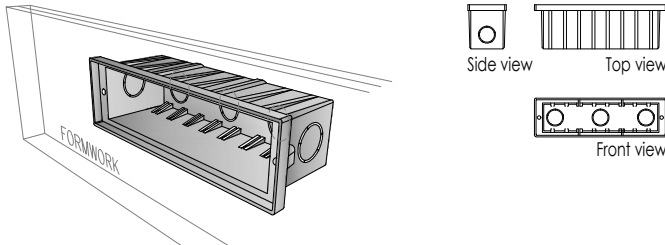


INSTALLATION PROCEDURES

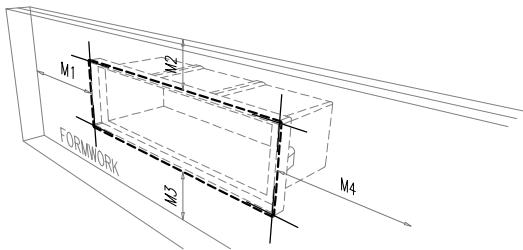
Gather the Necessary Tools and Materials

- LED step lights
- Screwdriver
- Drill
- Wire stripper
- Wire connectors
- Electrical tape

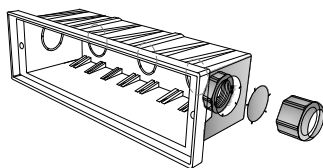
Measure and Mark the Placement of Lights



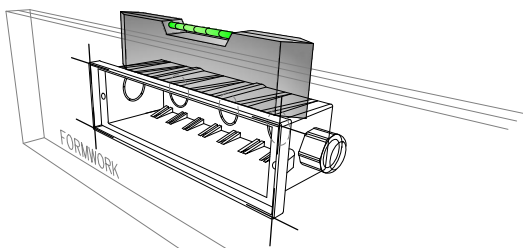
- At the concrete formwork, using the housing, determine lighting location



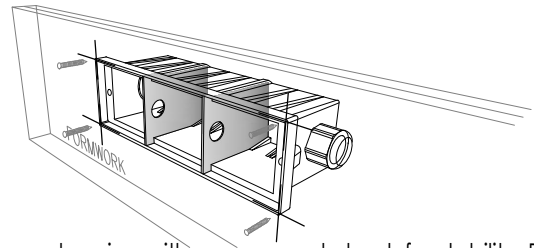
- Measure the distance on all sides for symmetry and mark four corners to be secured with a screw



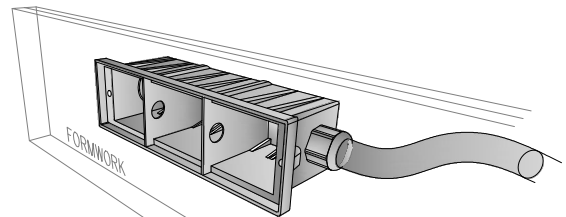
- Prepare the housing. Select a knockout location best suited for installation and attach the cable connector



- Place the housing at the marked location and ensure the horizontal surface is leveled and squared.



- Secure housing with a screw and check for stability. Before this is done, place the support plate as shown to prevent the housing from deforming when poured with a concrete.



- Connect conduit, pull wires through into the housing. Be sure that unused electrical knockouts are closed before concrete pouring.

Wiring the LED Step Lights

Turn Off the Power

- Locate the circuit breaker that controls the area where you will be installing the lights
- Turn off the power to ensure safety during the installation process

Connect the Wires

- Strip the insulation from the wires of the LED step lights and the power source
- Connect the wires using wire connectors, matching the positive and negative terminals

Secure the Wiring

- Use marrettes twist-on wire connector to secure the wire connections and prevent any accidental disconnections

Attach the Lights to the Steps

- Use screws to secure the light to the fixed housing on the masonry unit
- Ensure that the lights are securely mounted and aligned properly

Clean Up and Finalize

- Remove any excess wiring or debris from the installation area
- Double-check the alignment and functionality of each light